

SEGUIN AURORE



Available in enamel white & matte black



100% Pure Cast Iron Firebox



Dual fuel loading system



Includes fire grate & ash pan



Hand crafted in France



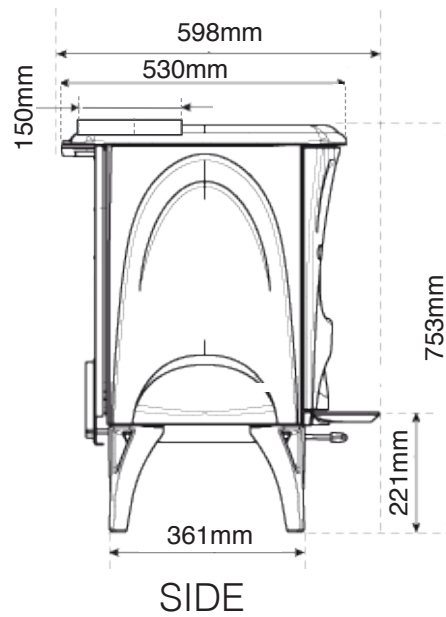
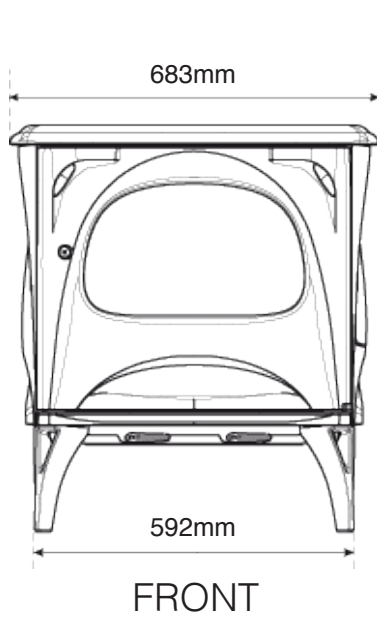
DAFS (Double Air Flow System)

Hand crafted in France, the Seguin Aurore freestanding wood heater introduces a new height of style and functionality. The unique shape of the Seguin Aurore will definitely be an aesthetic crowd pleaser. Offering two damper controls which allows for complete temperature control and ensures a cleaner glass with every burn. Along with it's unique shape, the Seguin Aurore also features two side loading capabilities, so now reloading your fire will be the easiest task. Say hello to toasty warm and hassle free nights all winter long.

Heats approximately 7-15 squares*

SCULPT™
FIREPLACE COLLECTION

SEGUIN AURORE specifications

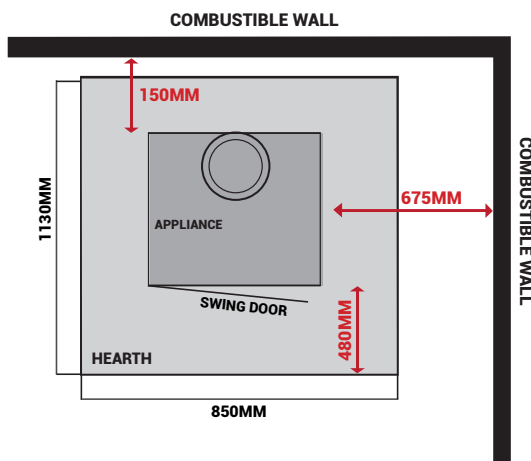


Material
Dual Damper Control
Heating Capacity
KW Output
Avg Emissions
Avg Efficiency
Door Operation
Minimum Flue Height
Flue Dimensions
Warranty
Weight
Minimum Hearth Dimensions

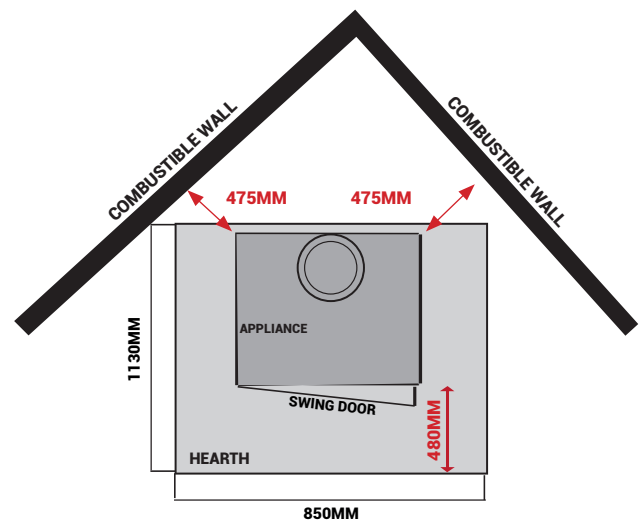
Cast iron firebox with vermiculite lining
 Combustion air & glass air wash control
 70m²-140m²*
 9kW
 1.5g/kg
 63%
 Two secure swing door opening system
 4.6m from the hearth
 150mm, 200mm, 250mm
 10 year firebox warranty**
 170 kg
 Width: 850mm Depth: 1130mm Thickness: 9mm***

Clearances & Hearth

All clearances shown are for appliance installed with a heat shield.



POSITION A PARALLEL POSITION



POSITION B CORNER POSITION

All images & diagrams in this brochure are for illustration purposes only and are not drawn to scale.
 *Heating capacity of the following appliances are a guide only and refers to areas with 2.4m ceilings and 6 or more star rated buildings. Heating output may vary depending on factors such as building characteristics, quality of insulation, type of firewood used and climate zone.
 **See warranty on pg. 20 of the installation manual
 ***Refer to the clearances and hearth section in the installation manual for further details.

© Copyright 2019 Sculpt Fireplaces Collection

Complies with the requirements of AS/NZS 4012/4013 (2014). Must be installed in accordance to AUS & NZ standards AS/NZS 2918:2001 Sculpt Fireplace Collection 2019, E&OE & T's & C's apply.