

# SEGUIN SAPHIR

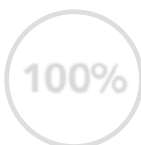


\*Overseas installation shown



Available in matte finish

From Randan, France, the Seguin Saphir offers a traditional looking design with two air controls including an air wash which allows for complete temperature control and ensures a cleaner glass with every burn. The Seguin Saphir is also fully equipped with an ash pan & ash grate, Double Air Flow System (DAFS) and dual fuel loading door, so now reloading your fire will be easier than ever.



100% Pure Cast Iron Firebox



Dual fuel loading system



Includes fire grate & ash pan



Hand crafted in France

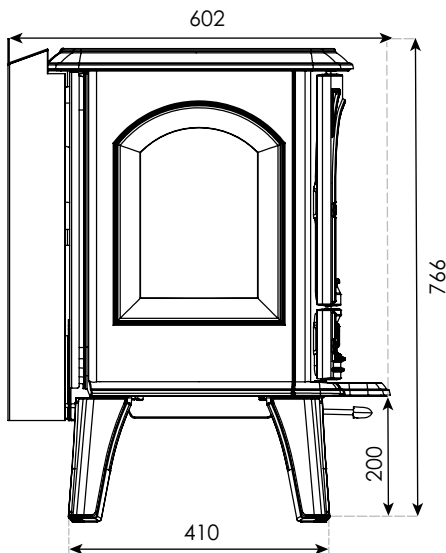


DAFS (Double Air Flow System)

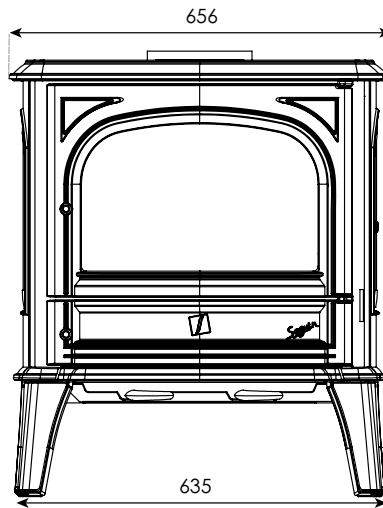
Heats approximately 12 squares\*

SCULPT™  
FIREPLACE COLLECTION

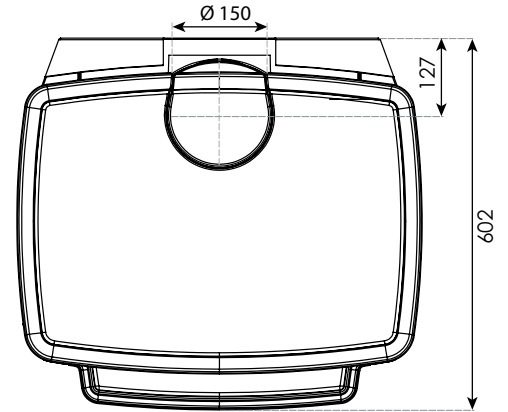
# SEGUIN SAPHIR specifications



SIDE



FRONT



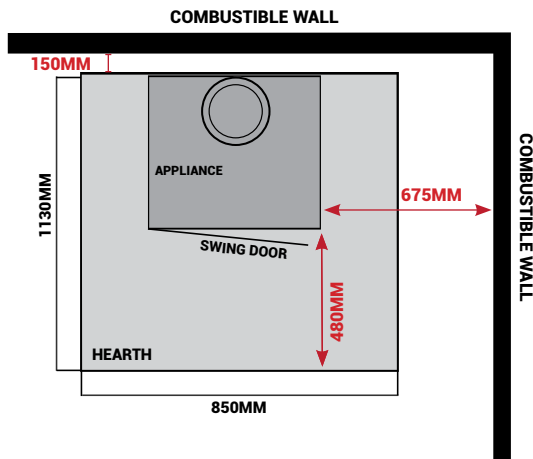
TOP

**Material**  
**Dual Damper Control**  
**Heating Capacity**  
**KW Output**  
**Avg Emissions**  
**Avg Efficiency**  
**Door operation**  
**Minimum Flue Height**  
**Flue Dimensions**  
**Warranty**  
**Weight**  
**Minimum Hearth Dimensions**

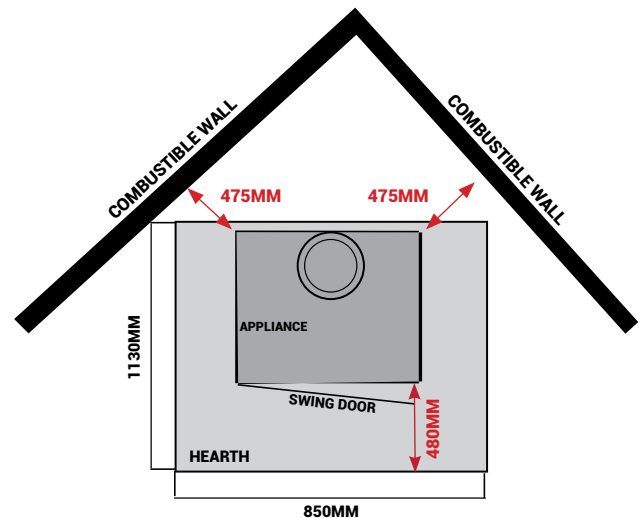
8-12mm Cast iron firebox with vermiculite lining  
 Combustion air & glass air wash control  
 70m<sup>2</sup> - 140m<sup>2</sup>\*  
 9kW  
 1.5g/kg  
 63%  
 Two secure swing door opening system  
 4.6m from the hearth  
 150mm, 200mm, 250mm  
 10 year firebox warranty\*\*  
 165 kg  
 Width: 850mm Depth: 1130mm Thickness: 9mm\*\*\*

## Clearances & Hearth

*All clearances shown are for appliance installed with a heat shield.*



**POSITION A PARALLEL POSITION**



**POSITION B CORNER POSITION**

All images & diagrams in this brochure are for illustration purposes only and are not drawn to scale.  
 \*Heating capacity of the following appliances are a guide only and refers to areas with 2.4m ceilings and 6 or more star rated buildings. Heating output may vary depending on factors such as building characteristics, quality of insulation, type of firewood used and climate zone.  
 \*\*Refer to the warranty section in the installation manual for further details.  
 \*\*\*Refer to the clearances and hearth section in the installation manual for further details.

© Copyright 2020 Sculpt Fireplaces Collection

Certificate No. ASFT19C062

This appliance has been tested in accordance with AS/NZS 4012 (2014) AS/NZS 4013 (2014) AS/NZS 2918 (2018)  
 Must be installed in accordance to AUS & NZ standards AS/NZS 2918. Sculpt Fireplace Collection 2020, E&OE & T's & C's apply.