



SCULPT™

FIREPLACE  
COLLECTION





Intent on providing Australian's with a dynamic collection of designer fires, Sculpt Fireplace Collection has gathered not only Europe's best fireplace designs, but also fireplaces which have been manufactured with high quality materials, ensuring they are built to last. Axis fireplaces are ranked #1 in France for their panoramic designs, innovation integration, state of the art manufacture technology, environmental impact, operational expertise and overall quality. Proudly hand crafted in France, these fireplaces add a new dimension to your home by creating the maximum of comfort whilst capturing the perfect place for social gatherings and special moments.

Meticulous hand assembled, each Axis fireplace perpetuates the "Duty of Quality" with a simple objective: *"Make the fireplace the heart of your home"*.

# Advantages of Axis



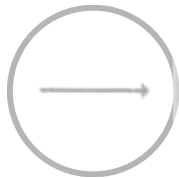
## Handcrafted in France

Over the past 18 years, Axis have been dedicated to designing and manufacturing luxury steel fireboxes using traditional handcrafting methods to provide the highest quality finish, as well as the most advanced technology and purest materials.



## Use as a slow combustion or open fireplace

Axis fireplaces provide a seamless lift door design, allowing the units to be used as either a slow combustion heater for practical purposes, with a longer fire term or an open fireplace for an ambient open fire experience.



## Outdoor Air Intakes

An optional extra outside air connection is recommended for 6+ star rated or tightly sealed homes, where oxygen is drawn from outside and through the DAFS for combustion. This provides better efficiency and more effective combustion, thus not affecting the air quality in your home.



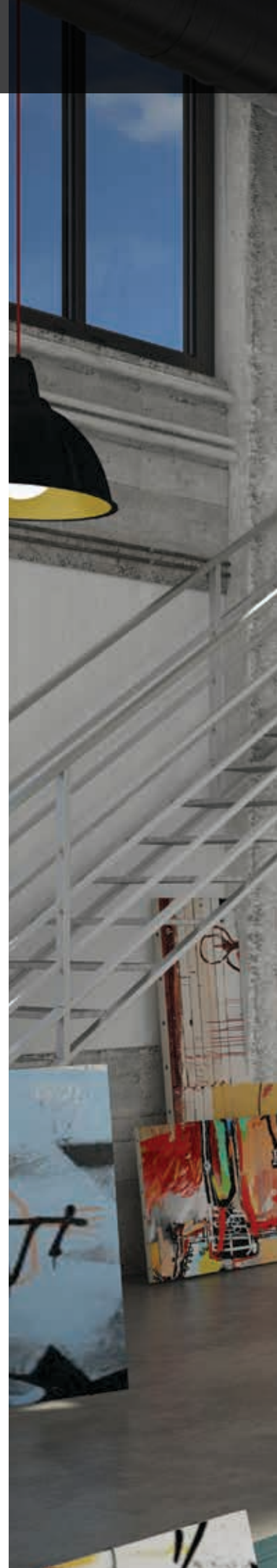
## DAFS (Double Airflow System)

Each Axis Panoramic Fireplace are equipped with patented DAFS technology which aims to inject oxygen at a determined level inside of the combustion chamber. The supply of new oxygen will burn gases and smoke not yet burnt, preventing them from being released into the flue system. The outcome is a longer fire term, cleaner glass, and effective combustion of fire wood.



## The Axis Difference

Axis fireboxes are made up of 60mm interlocking kiln bricks that are manually assembled and have been baked at 1350°. The patented refractory bricks ensure the accumulation, transmission and continuous release of heat over a superior period of time even after the fire has dissipated. (Excludes Axis I1000 models).





# AXIS H1200



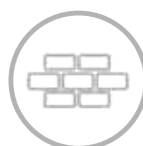
The artisan engineered Axis H1200 is a French panoramic steel firebox with breathtaking sentiments and an unbelievable heating performance. With its manually assembled interlocking refractory fire bricks and DAFS (Double Air Flow System) technology, the Axis H1200 inbuilt wood fireplace has been mastered to perfection. The large glass viewing area also gives this French made wood heater a luxurious contemporary feel that is much sought-after.



**DAFS**  
(Double Air Flow  
System)



**Includes**  
Fire Grate  
& Ash Pan



**Phenomenal**  
Fire Brick  
Heat Retention



**Dual Opening**  
System



**Optional**  
Outdoor Air Kit



The hand-crafted Axis H1400 is a French engineered steel firebox that is sure to add a grand statement in any home. An incredible heating performance ensures your home is kept toasty in the colder months. With it's manually assembled interlocking refractory fire bricks and DAFS (Double Air Flow System) technology, the Axis H1400 inbuilt wood fireplace encompasses engineering excellence. The generous glass viewing area also gives this French made wood heater an opulent quality that is highly prized.



**DAFS**  
(Double Air Flow  
System)



**Includes**  
Fire Grate  
& Ash Pan



**Phenomenal**  
Fire Brick  
Heat Retention



**Dual Opening**  
System



**Optional**  
Outdoor Air Kit

# AXIS H1600



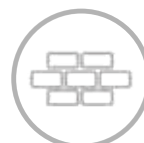
The handmade excellence of the Axis H1600 wood fireplace is much desired to those who seek the elegance of a panoramic wood heater combined with an unbelievable heating performance. This French made wood heater with manually assembled interlocking fire bricks will retain and radiate heat into the room even when the fire has recently dissipated. With its long glass viewing area, you'll be able to watch a dazzling performance of dancing flames.



**DAFS**  
(Double Air Flow  
System)



**Includes**  
Fire Grate  
& Ash Pan



**Phenomenal**  
Fire Brick  
Heat Retention



**Dual Opening**  
System



**Optional**  
Outdoor Air Kit





## Australia's Largest Wood Heater

The large panoramic H1600XXL takes the title for being Australia's largest inbuilt wood fireplace, with an unbelievable 1.7m glass viewing area. With flexibility to be used as an open fireplace or slow combustion wood heater, this designer statement is sure to be a focal point in any grand space. Featuring an exceptional, hand-made French panoramic steel firebox with manually assembled interlocking heavy duty fire bricks that retain the heat well after the fire has dissipated.



**DAFS**  
(Double Air Flow  
System)



**Includes**  
Fire Grate  
& Ash Pan



**Phenomenal**  
Fire Brick  
Heat Retention



**Dual Opening**  
System



**Optional**  
Outdoor Air Kit

# AXIS H1200DS



The artisan engineered Axis H1200DS double sided inbuilt wood fireplace is the perfect divider between two living spaces. View a spirited display of ambient flames that dance continuously from this double sided masterpiece all winter long. A personal gallery awaits from any point in the room with the Axis H1200DS double sided inbuilt wood fireplace. The large glass viewing area also gives this French hand made wood heater a luxurious contemporary feel that is much sought-after.



**DAFS**  
(Double Air Flow  
System)



**Includes**  
Fire Grate  
& Ash Pan



**Phenomenal**  
Fire Brick  
Heat Retention



**Dual Opening**  
System



**Optional**  
Outdoor Air Kit



Let the Axis H1600DS double sided wood heater make an elegant statement in any open plan space. This slow combustion wood heater discreetly emphasises the art of perfect design and mastered engineering. With its long glass viewing area, you'll be able to watch the dancing flames all winter long. A panoramic wood heater combined with an excellent performance and double sided viewing area.



**DAFS**  
(Double Air Flow  
System)



**Includes**  
Fire Grate  
& Ash Pan



**Phenomenal**  
Fire Brick  
Heat Retention



**Dual Opening**  
System



**Optional**  
Outdoor Air Kit

# AXIS H1600XXL DS



## Australia's Largest Double Sided Wood Heater

Being the largest double sided fireplace available in Australia, the Axis H1600XXL DS, has an unbelievable see-through 1.7m glass viewing area. With flexibility to be used as an open fireplace or slow combustion wood heater, this is true opulence with a contemporary edge all in a timeless design. The Axis H1600XXL DS features an exceptional panoramic steel firebox with manually assembled interlocking heavy duty fire bricks that retain the heat well after the fire has dissipated.



**DAFS**  
(Double Air Flow  
System)



**Includes**  
Fire Grate  
& Ash Pan



**Phenomenal**  
Fire Brick  
Heat Retention



**Dual Opening**  
System



**Optional**  
Outdoor Air Kit



Spectacular from any angle the Axis H1200 3V three sided wood fireplace will create an unsurpassed ambience with its unique characteristics of being either an open fireplace or slow combustion heater with its unconventional glass viewing area. It's high quality three sided panoramic steel firebox and elegant glass door makes the aesthetics of the luxurious Axis H1200 3V three sided wood fireplace a real show stopper in any designer space.



**DAFS**  
(Double Air Flow System)



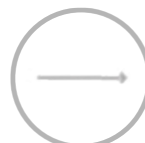
**Includes**  
Fire Grate  
& Ash Pan



**Phenomenal**  
Fire Brick  
Heat Retention



**Dual Opening**  
System



**Optional**  
Outdoor Air Kit

# AXIS H1200VLG



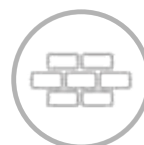
The Axis H1200 VLG two sided wood fireplace, with left hand side glass viewing area, is a display of geometric versatility and artisan engineered construction and will exude mesmerizing comfort and unsurpassed design excellence from any angle. With it's playful design the Axis H1200VLG will bring a polished urban design to any space. The large glass viewing area also offers a highly sought-after luxurious contemporary feel.



**DAFS**  
(Double Air Flow  
System)



**Includes**  
Fire Grate  
& Ash Pan



**Phenomenal**  
Fire Brick  
Heat Retention



**Dual Opening**  
System



**Optional**  
Outdoor Air Kit



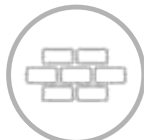
The Axis H1200 VLD showcases a right hand side corner glass viewing area option. Displaying a geometric versatility and artisan engineered construction that will exude mesmerizing comfort and unsurpassed design excellence from any angle. With it's playful design the Axis H1200VLD will bring a polished urban design to any space. The large glass viewing area also offers a highly sought-after luxurious contemporary feel.



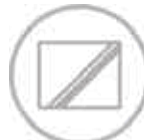
**DAFS**  
(Double Air Flow System)



**Includes**  
Fire Grate  
& Ash Pan



**Phenomenal**  
Fire Brick  
Heat Retention



**Dual Opening**  
System



**Optional**  
Outdoor Air Kit

# AXIS EPI950



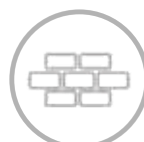
Making a distinct impression, the Axis EPI950 is a smart beauty that will appeal to any interior living space. Humbly sophisticated, the high quality three sided glass viewing area achieves to not only heat a home but also create an astute impression upon entry. All of this combined with the high end, luxury designer style and the latest efficiencies from Europe, expertly offered by the Axis range.



**DAFS**  
(Double Air Flow  
System)



**Includes**  
Fire Grate  
& Ash Pan



**Phenomenal**  
Fire Brick  
Heat Retention

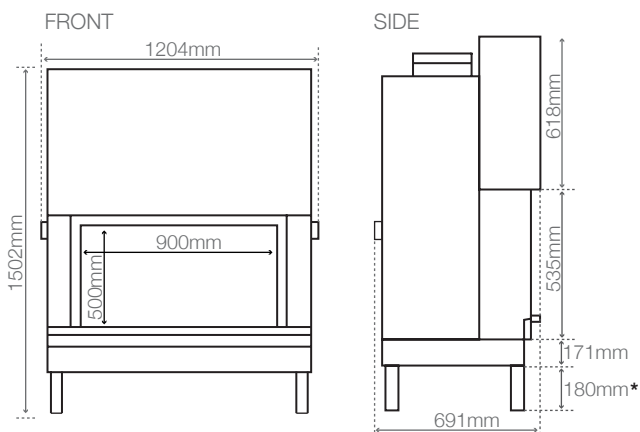


**Dual Opening**  
System



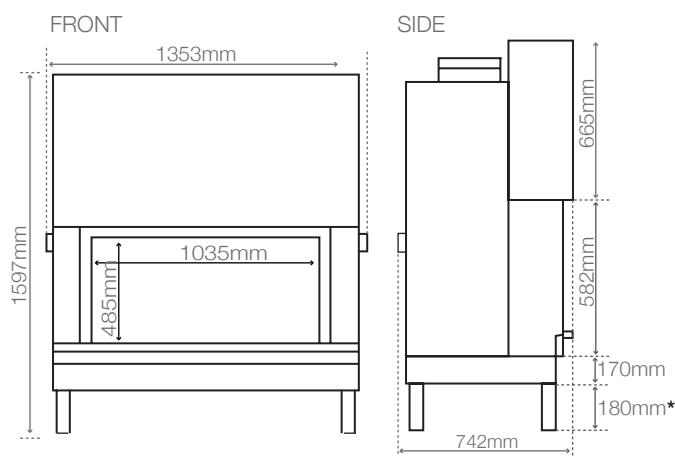
**Optional**  
Outdoor Air Kit





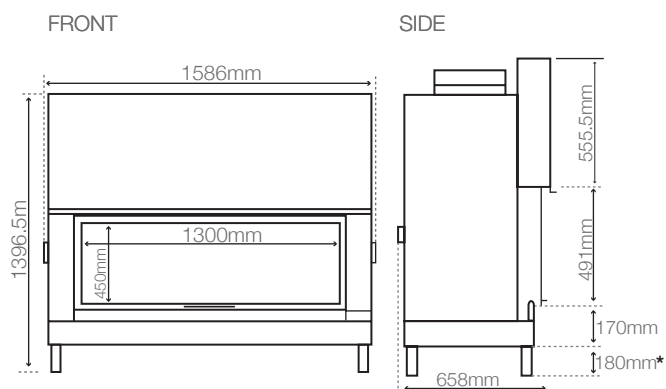
## Axis H1200

- Material** Solid steel firebox with 60mm thick firebricks
- KW output** 30kw
- Heating capacity** Up to 150m<sup>2</sup>-300m<sup>2</sup>\*
- Facade** Clean frame-less design (trim options available)
- Glass door** Secure lift up and swing door
- Minimum flue height** 5.4m
- Flue sizes** 250mm, 300mm, 350mm
- Includes hot air transfer kit** Two ducts and two registers
- Outside air kit** Recommended for well insulated homes
- Warranty** 10 year firebrick & 5 year firebox warranty\*\*
- Weight** 380kg
- Legs\*** Adjustable 180mm-600mm
- Hearth dimensions** min 500mm in front of any part of the fireplace, 250mm on either side & 75mm thick



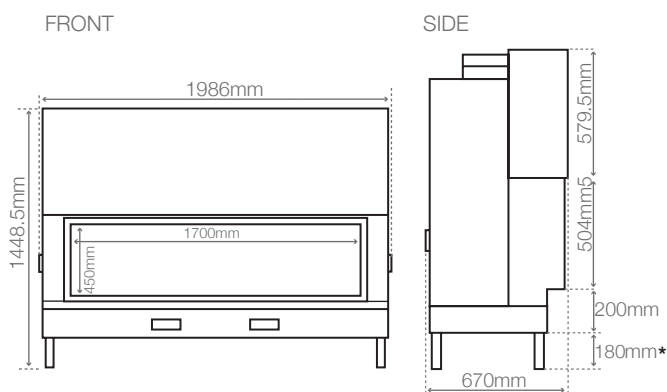
## Axis H1400

- Material** Solid steel firebox with 60mm thick firebricks
- KW output** 32.5kw
- Heating capacity** Up to 180m<sup>2</sup>-320m<sup>2</sup>\*
- Facade** Clean frame-less design (trim options available)
- Glass door** Secure lift up and swing door
- Minimum flue height** 5.4m
- Flue sizes** 300mm, 350mm, 400mm
- Includes hot air transfer kit** Two ducts and two registers
- Outside air kit** Recommended for well insulated homes
- Warranty** 10 year firebrick & 5 year firebox warranty\*\*
- Weight** 400kg
- Legs\*** Adjustable 180mm-600mm
- Hearth dimensions** min 500mm in front of any part of the fireplace, 250mm on either side & 75mm thick



## Axis H1600

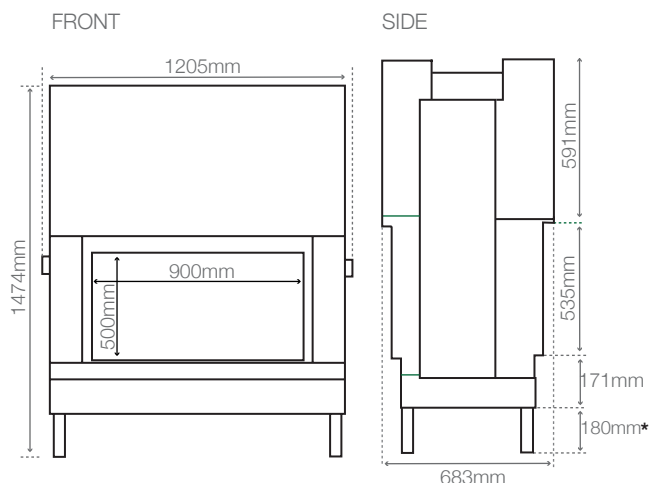
- Material** Solid steel firebox with 60mm thick firebricks
- KW output** 35kw
- Heating capacity** Up to 200m<sup>2</sup>-350m<sup>2</sup>\*
- Facade** Clean frame-less design (trim options available)
- Glass door** Secure lift up and swing door
- Minimum flue height** 5.4m
- Flue sizes** 300mm, 350mm, 400mm
- Includes hot air transfer kit** Two ducts and two registers
- Outside air kit** Recommended for well insulated homes
- Warranty** 10 year firebrick & 5 year firebox warranty\*\*
- Weight** 460kg
- Legs\*** 180mm-600mm
- Hearth dimensions** min 500mm in front of any part of the fireplace, 250mm on either side & 75mm thick



## Axis H1600XXL

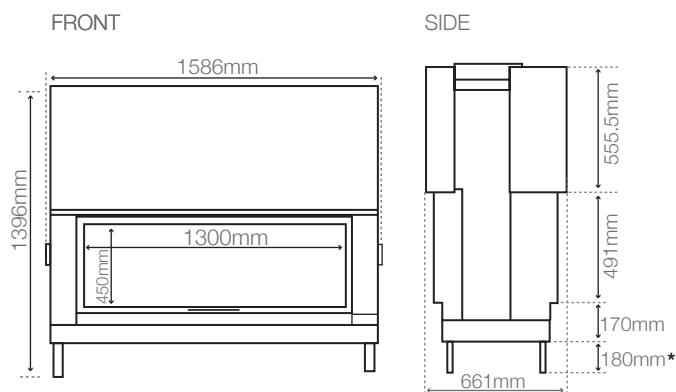
- Material** Solid steel firebox with 60mm thick firebricks
- KW output** 40kw+
- Heating capacity** Up to 250m<sup>2</sup>-400m<sup>2</sup>\*
- Facade** Clean frame-less design (trim options available)
- Glass door** Secure lift up and swing door
- Minimum flue height** 5.4m
- Flue sizes** 300mm, 350mm, 400mm
- Includes hot air transfer kit** Two ducts and two registers
- Outside air kit** Recommended for well insulated homes
- Warranty** 10 year firebrick & 5 year firebox warranty\*\*
- Weight** 530kg
- Legs\*** Adjustable 180mm-600mm
- Hearth dimensions** min 500mm in front of any part of the fireplace, 250mm on either side & 75mm thick

# AXIS Specifications



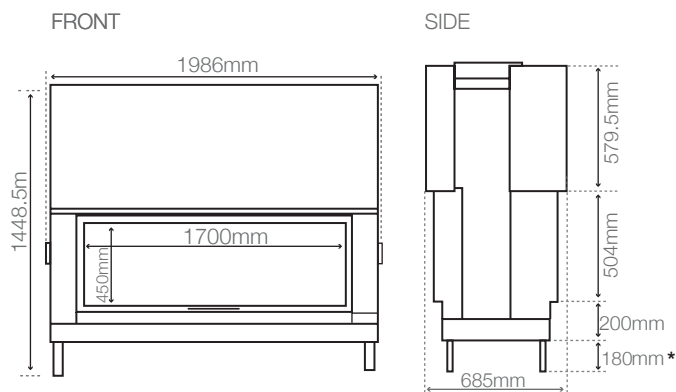
## Axis H1200DS

<b>Material</b>	Solid steel firebox with 60mm thick firebricks
<b>KW output</b>	20kw
<b>Heating capacity</b>	Up to 200m <sup>2</sup> *
<b>Facade</b>	Clean frame-less design (trim options available)
<b>Glass door</b>	Secure lift up and swing door
<b>Minimum flue height</b>	5.4m
<b>Flue sizes</b>	250mm, 300mm, 350mm
<b>Includes hot air transfer kit</b>	Two ducts and two registers
<b>Outside air kit</b>	Recommended for well insulated homes
<b>Warranty</b>	10 year firebrick & 5 year firebox warranty**
<b>Weight</b>	380kg
<b>Legs*</b>	Adjustable 180mm-600mm
<b>Hearth dimensions</b>	min 500mm in front of any part of the fireplace, 250mm on either side & 75mm thick



## Axis H1600DS

<b>Material</b>	Solid steel firebox with 60mm thick firebricks
<b>KW output</b>	25kw
<b>Heating capacity</b>	Up to 250m <sup>2</sup> *
<b>Facade</b>	Clean frame-less design (trim options available)
<b>Glass door</b>	Secure lift up and swing door
<b>Minimum flue height</b>	5.4m
<b>Flue sizes</b>	300mm, 350mm, 400mm
<b>Includes hot air transfer kit</b>	Two ducts and two registers
<b>Outside air kit</b>	Recommended for well insulated homes
<b>Warranty</b>	10 year firebrick & 5 year firebox warranty**
<b>Weight</b>	460kg
<b>Legs*</b>	Adjustable 180mm-600mm
<b>Hearth dimensions</b>	min 500mm in front of any part of the fireplace, 250mm on either side & 75mm thick

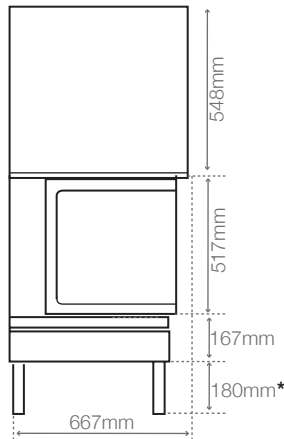
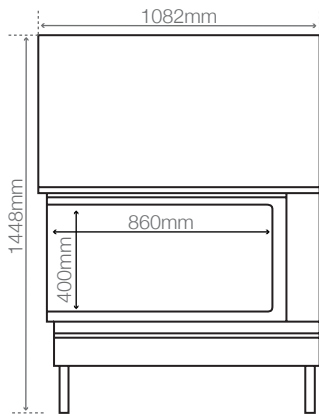


## Axis H1600XXLDS

<b>Material</b>	Solid steel firebox with 60mm thick firebricks
<b>KW output</b>	30kw
<b>Heating capacity</b>	Up to 300m <sup>2</sup> *
<b>Facade</b>	Clean frame-less design (trim options available)
<b>Glass door</b>	Secure lift up and swing door
<b>Minimum flue height</b>	5.4m
<b>Flue sizes</b>	300mm, 350mm, 400mm
<b>Includes hot air transfer kit</b>	Two ducts and two registers
<b>Outside air kit</b>	Recommended for well insulated homes
<b>Warranty</b>	10 year firebrick & 5 year firebox warranty**
<b>Weight</b>	530kg
<b>Legs*</b>	Adjustable 180mm-600mm
<b>Hearth dimensions</b>	min 500mm in front of any part of the fireplace, 250mm on either side & 75mm thick

FRONT

SIDE

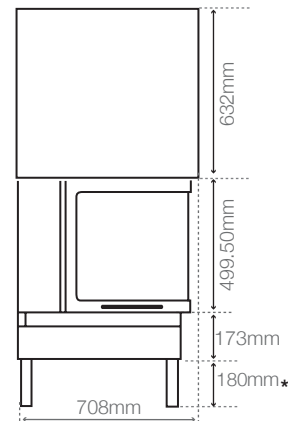
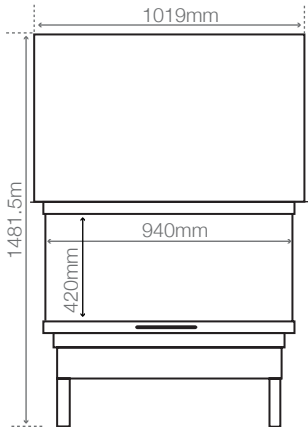


## Axis H1200VLD/MLG

<b>Material</b>	Solid steel firebox with 60mm thick firebricks
<b>KW output</b>	20kw
<b>Heating capacity</b>	Up to 200m <sup>2</sup> *
<b>Facade</b>	Clean frame-less design (trim options available)
<b>Glass door</b>	Secure lift up and swing door
<b>Minimum flue height</b>	5.4m
<b>Flue sizes</b>	250mm, 300mm, 350mm
<b>Includes hot air transfer kit</b>	Two ducts and two registers
<b>Outside air kit</b>	Recommended for well insulated homes
<b>Warranty</b>	10 year firebrick & 5 year firebox warranty**
<b>Weight</b>	380kg
<b>Legs*</b>	Adjustable 180mm-600mm
<b>Hearth dimensions</b>	min 500mm in front of any part of the fireplace, 250mm on either side & 75mm thick

FRONT

SIDE

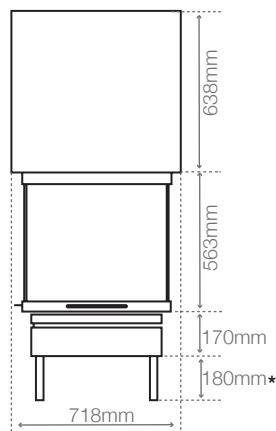
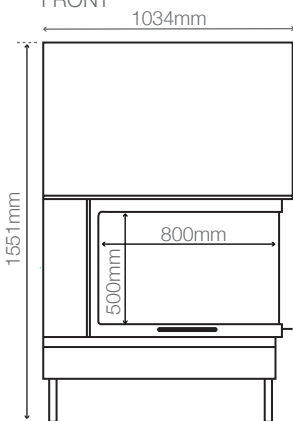


## Axis H12003V

<b>Material</b>	Solid steel firebox with 60mm thick firebricks
<b>KW output</b>	20kw
<b>Heating capacity</b>	Up to 200m <sup>2</sup> *
<b>Facade</b>	Clean frame-less design (trim options available)
<b>Glass door</b>	Secure lift up and swing door
<b>Minimum flue height</b>	5.4m
<b>Flue sizes</b>	250mm, 300mm, 350mm
<b>Includes hot air transfer kit</b>	Two ducts and two registers
<b>Outside air kit</b>	Recommended for well insulated homes
<b>Warranty</b>	10 year firebrick & 5 year firebox warranty**
<b>Weight</b>	380kg
<b>Legs*</b>	Adjustable 180mm-600mm
<b>Hearth dimensions</b>	min 500mm in front of any part of the fireplace, 250mm on either side & 75mm thick

FRONT

SIDE



## Axis EPI950

<b>Material</b>	Solid steel firebox with 60mm thick firebricks
<b>KW output</b>	20kw
<b>Heating capacity</b>	Up to 50m <sup>2</sup> -200m <sup>2</sup> *
<b>Facade</b>	Clean frame-less design (trim options available)
<b>Glass door</b>	Secure lift up and swing door
<b>Minimum flue height</b>	5.4m
<b>Flue sizes</b>	280mm, 330mm, 380mm
<b>Includes hot air transfer kit</b>	Two ducts and two registers
<b>Outside air kit</b>	Recommended for well insulated homes
<b>Warranty</b>	10 year firebrick & 5 year firebox warranty**
<b>Weight</b>	330kg
<b>Legs*</b>	Adjustable 180mm-600mm
<b>Hearth dimensions</b>	min 500mm in front of any part of the fireplace, 250mm on either side & 75mm thick

\* Heating capacity of the following appliances are a guide only and refers to areas with 2.4m ceilings and 6 or more star rated buildings. Heating output may vary depending on factors such as building characteristics, quality of insulation, type of firewood used and climate zone.

\*\* See warranty section in the installation manual for further details.

**DISCLAIMER:** \*All heating capacities listed in this brochure are a guide only and refers to areas with 2.4m ceilings and 6 or more star rated buildings. Heating output may vary depending on factors such as building characteristics, quality of insulation, type of firewood used and climate zone. All dimensions shown are approximate. Check all dimensions accurately prior to installation. In line with our policy of continuous improvement, we reserve the right to alter specifications without notice.

E.&E.O Images and diagrams are for illustration purposes only. Sculpt reserves the right to change these specifications without prior notice. This information does not replace the installation manual which provides more in depth information. Must be installed in a full masonry enclosure as per Australian & New Zealand standards AS/NZS 2918:2001.



Axis EP1950  
Flinders 3929, VIC

“Igniting inspiration with a new dimension in fireplace design is now an easy choice”



# SCULPT<sup>TM</sup>

FIREPLACE  
COLLECTION

1300 851 304  
[info@sculptfireplaces.com.au](mailto:info@sculptfireplaces.com.au)  
[www.sculptfireplaces.com.au](http://www.sculptfireplaces.com.au)

