

SCULPT™

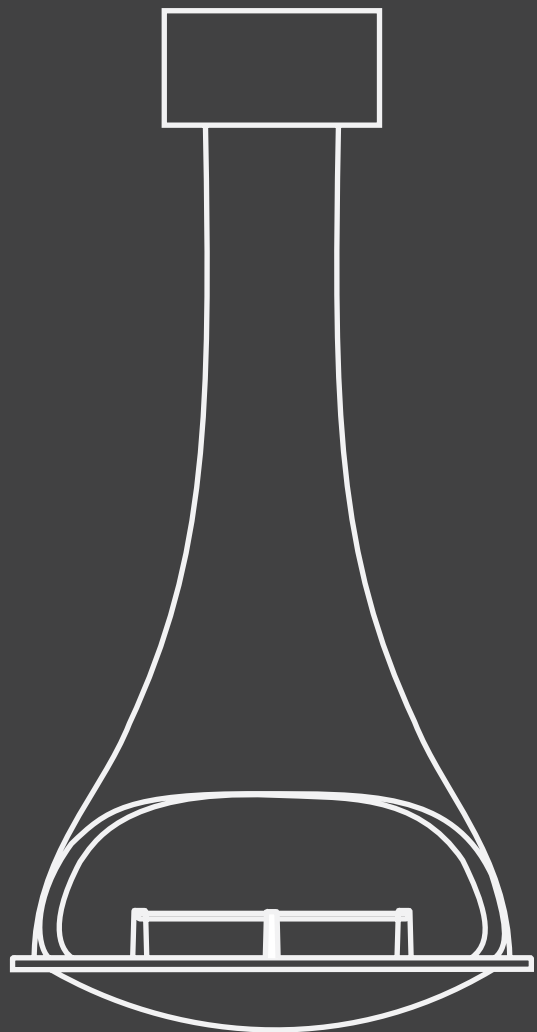
FIREPLACE
COLLECTION

JC BORDELET

Tatiana 997 | Eva 992 | Gas Installation

INSTALLATION & USER GUIDE

1. SPECIFICATIONS & COMPONENTS LIST
2. PRELIMINARY INSTALL GUIDE
3. INSTALLATION GUIDE
4. OPERATION & MAINTENANCE
5. WARRANTY
6. TEST RESULTS
7. FINAL WORDS



NOTICE TO INSTALLER:

These instructions must be left with the owner, who should keep them for future use.

COMPLIANCE PLATE AND SERIAL NUMBER.

IMPORTANT

Heating output may vary depending on factors such as building characteristics, quality of insulation, type of firewood/ gas source used and climate zone.

All dimensions shown are approximate. Check all dimensions accurately on the unit prior to installation. In line with our policy of continuous improvement, we reserve the right to alter specifications and installation guidelines without notice. (E&OE)

All units comply with and MUST be installed to Australian & New Zealand Standard AS/NZS 2918:2001. When in use some parts of this appliance may become hot. A suitable fire guard is recommended where very young, elderly or infirm are concerned.

ALL FIREPLACES IN THIS MANUAL CONFORM TO AUSTRALIAN AND NEW ZEALAND STANDARDS AS/ NZS 4013; (2014) UNDER SECTION 1.2.3.(F).

The instructions in this manual are recommendations only, the distributor and manufacturer bears no liability to the interpretation of these instructions. Please ensure to download the latest version of this manual from our website: www.sculptfireplaces.com.au/installation-manuals/

CONGRATULATIONS!

Thank you for choosing Sculpt Fireplaces as your heater of choice.

Your fireplace is the result of careful design, artisan engineering and safety tests. If it is properly installed, used and maintained, you may be sure that you will have an outstanding heating feature in your home for years to come.

We advise you to read through this guide in order to become acquainted with the installation methods specific to your fireplace.

It is recommended that this fireplace be installed by a qualified and licensed trades professional. You will find in this guide the answers to most of your questions, should you require further assistance we recommend you contact your retailer.

Before igniting your fireplace for the first time, please carefully read this manual.

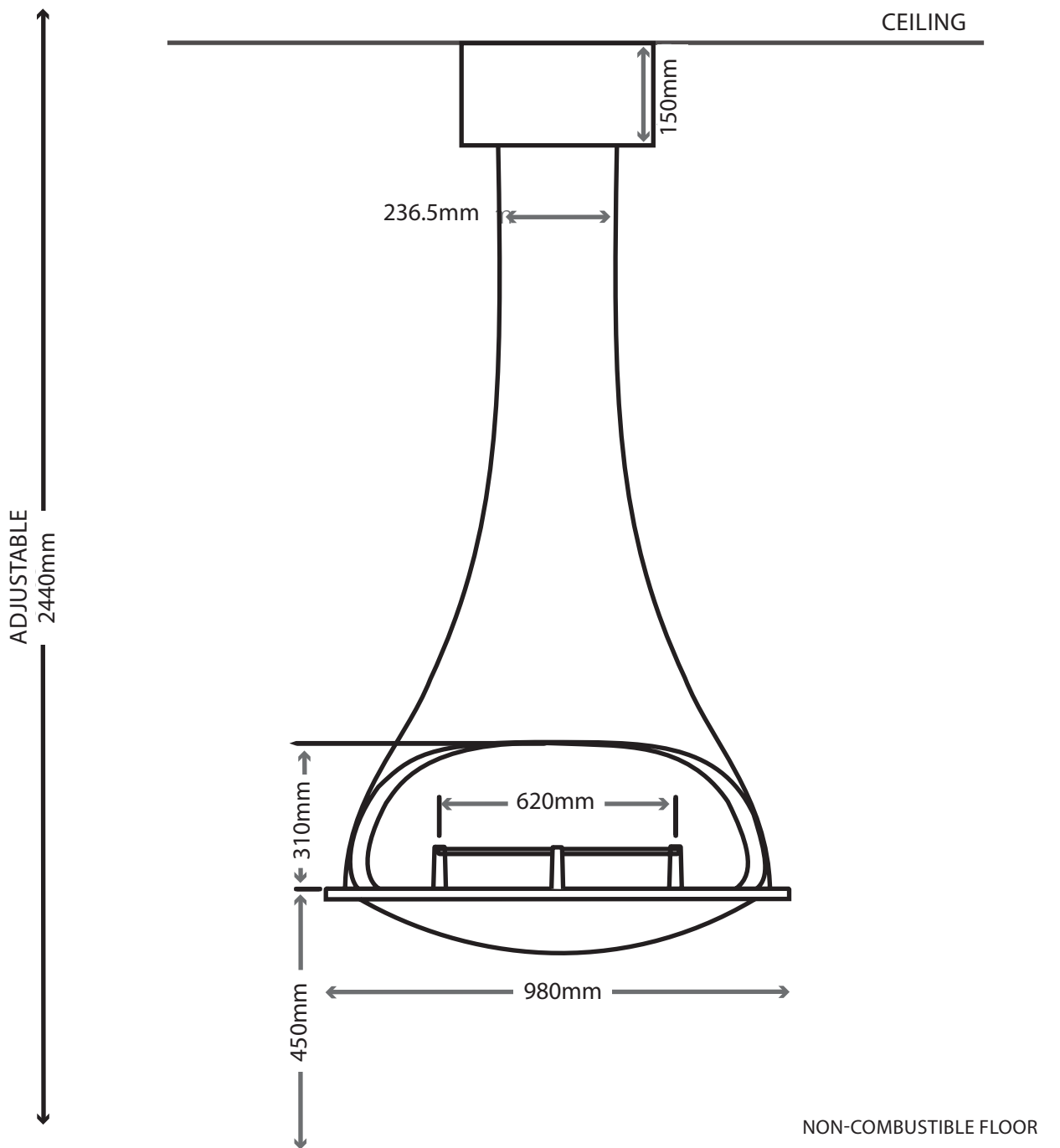
Follow @sculptfireplacecollection on Instagram, SculptFireplaceCollection on Facebook and be sure to post your latest masterpiece installed with the hashtag #sculptfires.

We hope we've helped make you the envy of your friends this winter and years to come.

From all of us,
Sculpt Fireplace Collection

Tatiana 997

MATERIAL	4mm thick steel, hand shaped and spun
HEARTH DIMENSIONS	Minimum 1770mm diameter X 40mm thick
CLEARANCES TO COMBUSTIBLES	Minimum 750mm
INCLUDES	Fire grate
FIREPLACE WEIGHT	120kg
TRIPLE SKIN FLUE SIZES	240mm, 290mm, 340mm
MINIMUM FLUE HEIGHT	4.5m
BEARING FLAME & DROPPER BOX WEIGHT	50kg



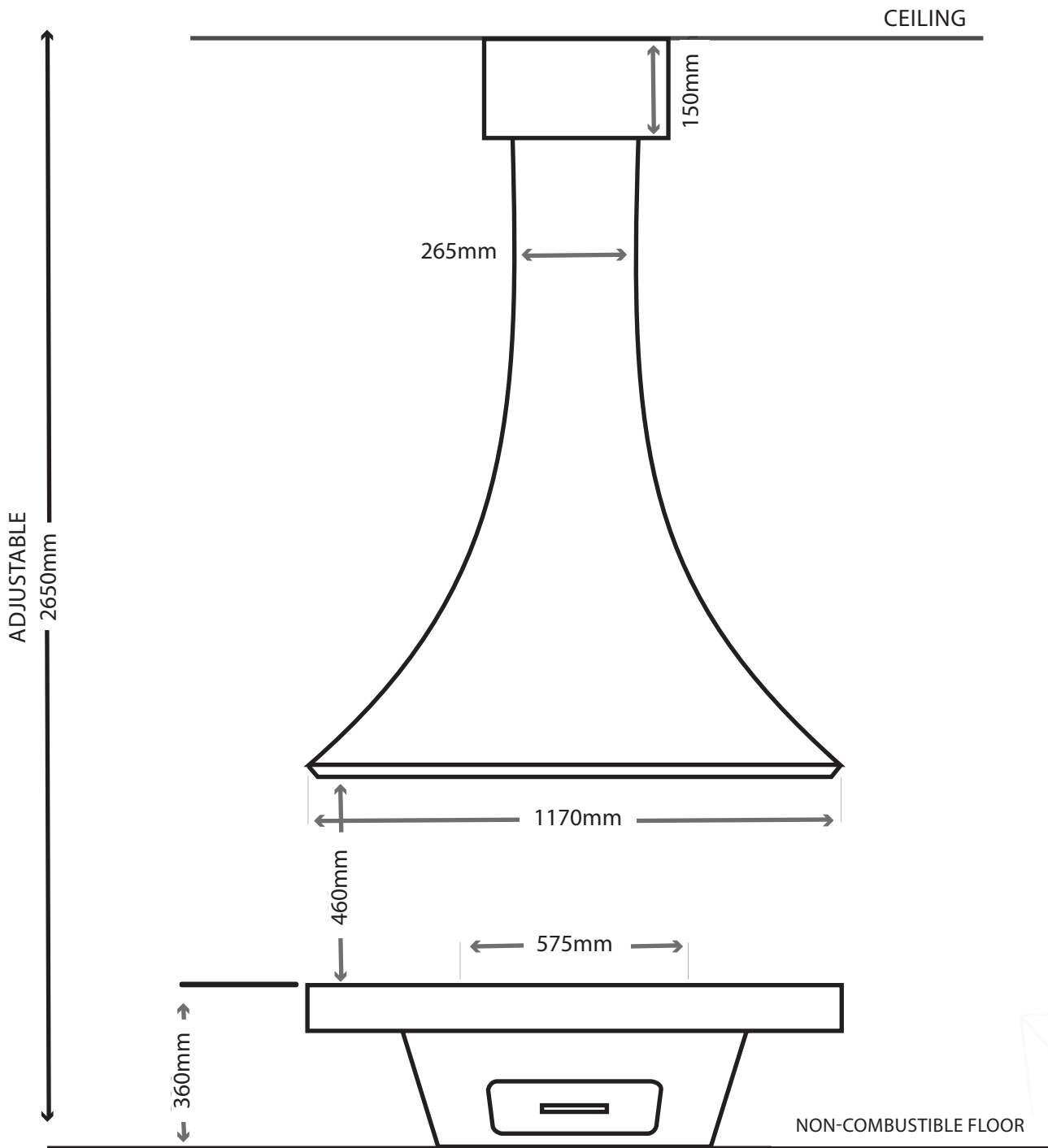
Tatiana 997

- 1. BEARING PLATE & DROPPER BOX
- 2. CEILING COVER PLATE
- 3. ADDITIONAL PIPE (OPTIONAL LENGTHS)
- 4. THE FIREPLACE
- 6. BAFFLE PLATE



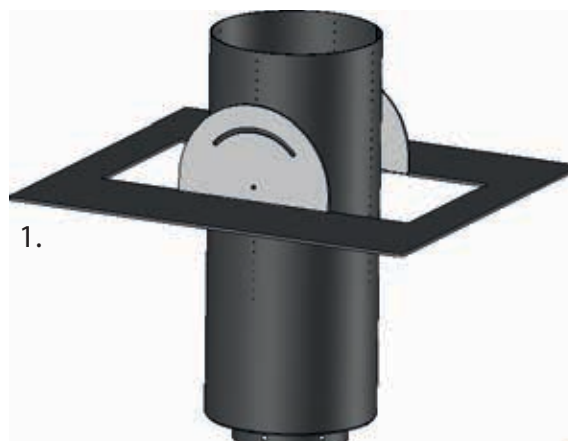
Eva 992

MATERIAL	4mm thick steel, hand shaped and spun
HEARTH DIMENSIONS	Minimum 1770mm diameter X 40mm thick
CLEARANCES TO COMBUSTIBLES	Minimum 750mm
INCLUDES	Fire grate and ash pan
FIREPLACE WEIGHT	200kg
TRIPLE SKIN FLUE SIZES	265mm, 315mm, 365mm
MINIMUM FLUE HEIGHT	4.5m
BEARING FLAME & DROPPER BOX WEIGHT	50kg



Eva 992

1. BEARING PLATE & DROPPER BOX
2. CEILING COVER PLATE
3. ADDITIONAL PIPE (OPTIONAL LENGTHS)
4. THE FIREPLACE
5. THE BAFFLE
6. SLIDING GLASS & FIXED GLASS (X2)
PLACE THE TWO CAPS ON EITHER SIDE OF THE BASE, IF AN OUTSIDE AIR KIT IS INSTALLED UNDER THE FLOOR.
7. METALLIC RING
PUT IN PLACE THE METALLIC RING TO HIDE SCREWS.
8. THE BASE
9. SHUTTER (X2)
10. ASH PAN
11. ASH GRATE



1.



2.



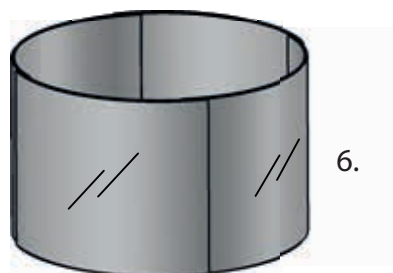
3.



4.



5.



6.



7.



8.

9.



10.



11.

IMPORTANT WARNING

The hood of the fireplace should remain in its protected packaging during installation, when possible avoid contact with the paint surface, we strongly recommend the white gloves supplied with the unit are used during installation. The paint will naturally polymerize after several fires, we advise you to avoid contact with the unit prior to this. Do NOT scrub or clean the fireplace. After its assembly, ideally wait for several fires before touching it.

In case of marks or of accidental scratches; ensure the paint has completely polymerized, proceed to clean the surface delicately with a wet and very hot sponge. If necessary, a small retouch of paint can be considered. DO NOT SCRATCH, APPLY PAINT OR RUB THE PAINT WHILE THE FIREPLACE IS IN USE.

For reasons of shipping and handling, all our fireplaces are delivered in separated elements. Assembly should be carried out according to the manual which should be read entirely to install. In observance of the assembly instructions entails the liability of the person who carries it out. The fireplace should be laid and suspended on adequate elements supporting its weight.

PRELIMINARY INSTALL INFORMATION

For the installation and use of this appliance, the fitter and the user should strictly adhere to local and national regulations in addition to Australian & New Zealand Standards AS/NZS 2918:2001. The installer should comply with the instructions and recommendations detailed in this manual. Safety and operation of the fireplace is directly dependent thereon. The liability of the manufacturer can neither be retained nor assured following failure of installation or incorrect use which does not comply with AS/NZS 2918:2001.

As each installation is unique, a qualified and licensed trades professional should take all required preliminary precautions depending on the technical elements inherent to each job.

In-observance of the assembly instructions in conjunction with AS/NZS 2918:2001 entails the liability of the person who carries it out.

As a result of faulty assembly, irrational use of parts or additional components that were not supplied by the manufacturer, and/or modifying of the appliance or components will result in inferior or unsafe operation. Should this occur the manufacturer bears no liability, and will result in a null and void product warranty.

PLEASE READ PRIOR TO INSTALL

All images and diagrams in this manual are for installation reference purposes only and are not to scale. The distributor and manufacturer bears no accuracy of these images and accepts no liability. The purpose of these images and diagrams is to act as a guide in conjunction with the written components and are NOT to instruct independently. The order of these steps are a recommendation only.

It is strongly recommended that the licensed trade professional who is performing the installation of this appliance, completely read and understand all instructions in this manual prior to proceeding.

Sculpt Fireplaces & Bordelet reserves the right to change these specifications without prior notice.

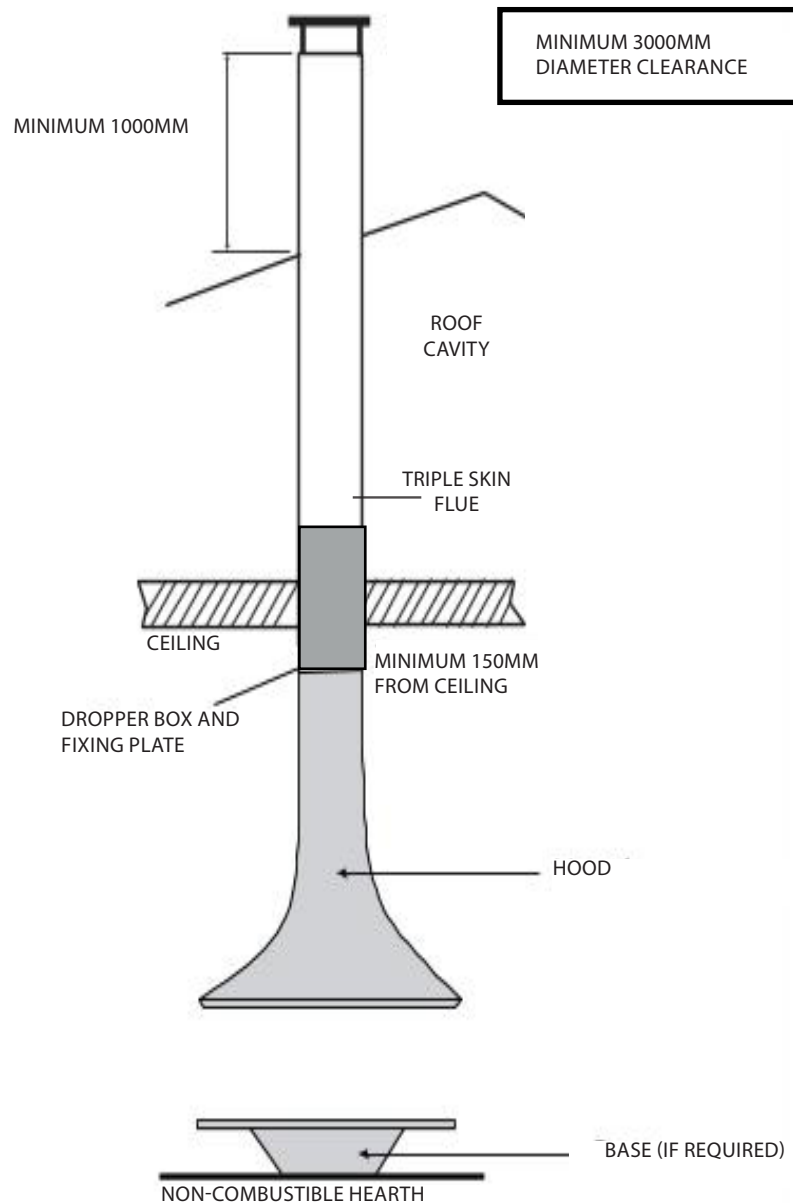
HEAT RESISTANT MATERIALS

Heat resistant materials must meet AS/NZS 2918:2001 clause 1:5.21 a material with an allowable service temperature of 600° Celsius or greater.

ASSEMBLING THE FIREPLACE

For reasons of shipping and handling, all our fireplaces are delivered in separate components and require assembly.

Assembly should be carried out according to this manual which should be read in its entirety prior to commencing installation. Any in-observance of the assembly instructions entails the liability of the licensed trade professional who carries it out.



Bordelet Eva 992

1. INSTALLING THE BEARING FRAME AND THE DROPPER BOX

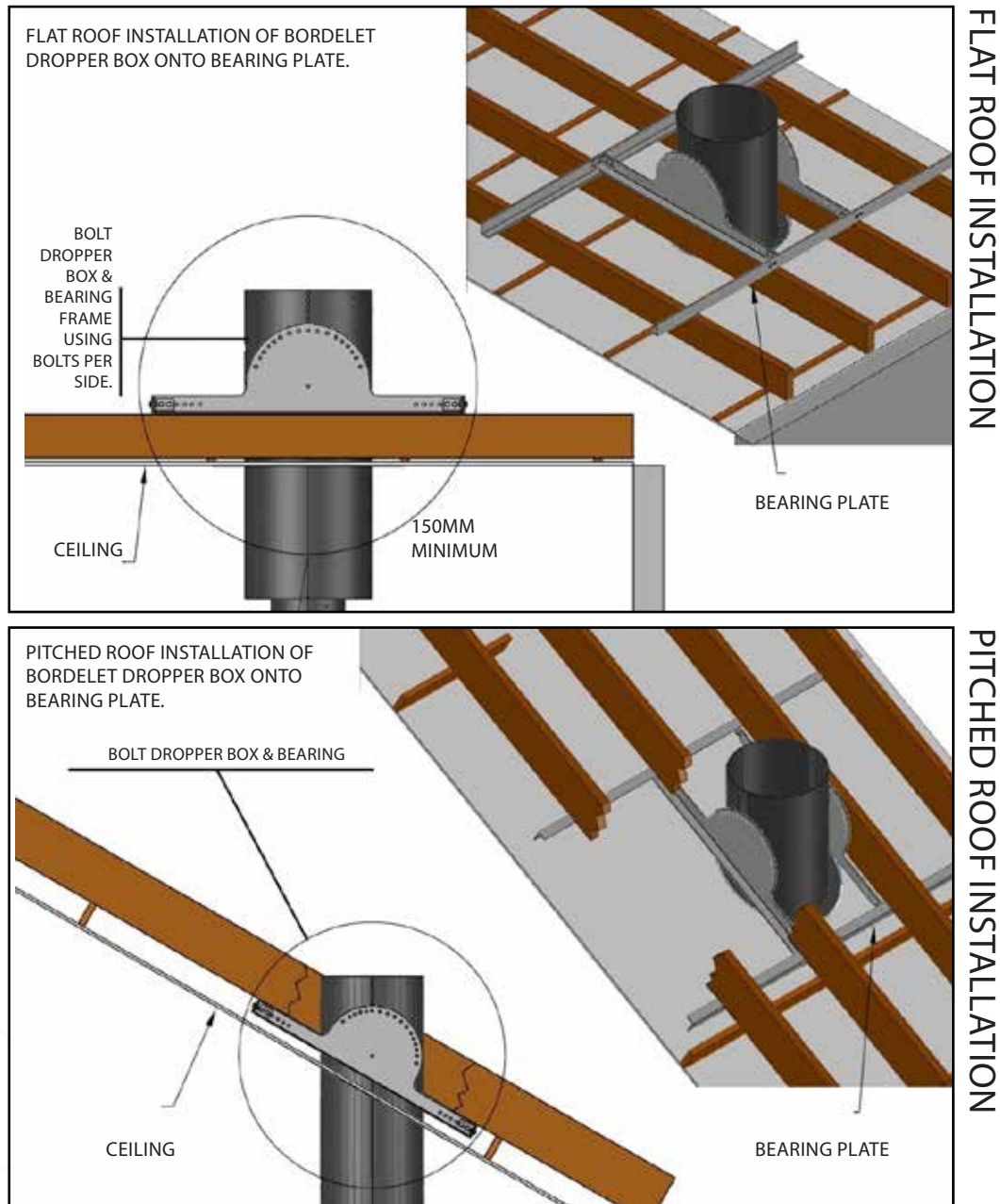
TATIANA 992

Determine the exact location of the bearing frame and the dropper box above the ceiling in accordance with the proposed location of the TATIANA 997 will be centred in the room and hang a minimum of 450mm above the hearth(non-combustible floor). Beams in the roof may need to be altered to suit the Bordelet bearing frame and dropper box. (Instructions continued pg. 12)

EVA 992

Determine the exact location of the bearing frame and the dropper box above the ceiling in accordance with the proposed location of the EVA 992 will be centred in the room and hang a maximum of 820mm above the hearth (non-combustible floor). Beams in the roof may need to be altered to suit the Bordelet bearing frame and dropper box. (Instructions continued pg. 14)

IMPORTANT: When connected to the bearing frame, the dropper box must sit a minimum 150mm below the ceiling.



TATIANA 997 INSTALLATION GUIDE CONTINUED

2. INSTALLING THE ADDITIONAL PIPES

For added height(floor to ceiling), install the additional pipes(if required), onto the dropper box(using the 3 screws TF M8x16).

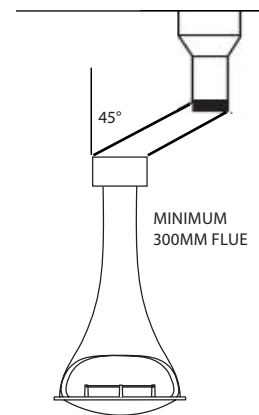
INSTALLING THE FIREPLACE

Install the TATIANA 997 onto the dropper box (or the additional pipe if requested) with the lower shelf of the fireplace 450 mm above the finished hearth.

3. 45° OFFSETS OF CONNECTING FLUES

The connecting flue should not include more than two 45° offsets (i.e. more than one non-vertical portion), the angle of these offsets should not exceed 45° with the vertical.

IMPORTANT: When a controlled mechanical ventilation includes an electric extractor, it is absolutely necessary to stop operation of the fireplace. The electric extractors of the kitchen, the bathroom, or the toilets, should also be switched off when operating the fireplace.



4. INSTALLING THE HEARTH NON-COMBUSTIBLE

Centred on the planned location of the fireplace, install a hearth made of approved non-combustible material such as ceramic tiles, stone, masonry or concrete etc.

5. OUTDOOR AIR VENTS

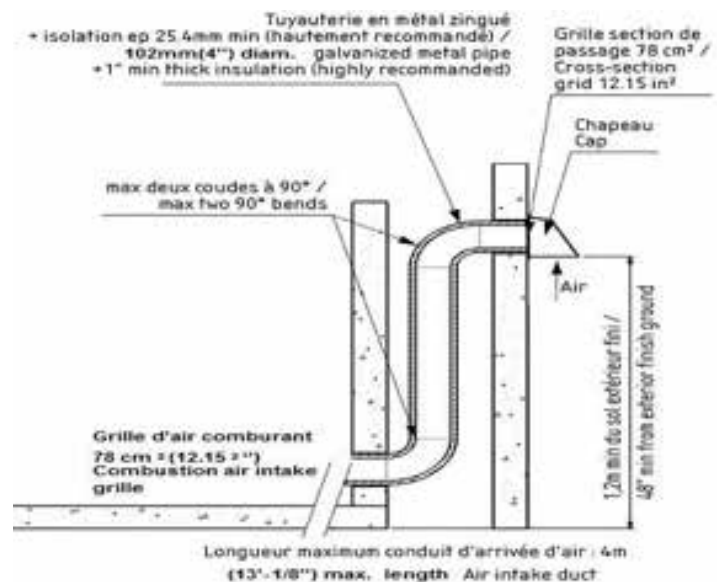
MINIMUM 2 OUTSIDE AIR VENTS ARE REQUIRED

This air intake is essential for the operation of this appliance. The air intake should be located in an area vented to the outdoors or in an area exposed to non de pressurised prevailing winds.

The air intake outlets should be located as close as possible to the appliance. The air intake should be vermin proof.

The minimum fresh air intake for the TATIANA 997 is 300cm²

To be confirmed
300cm or 600cm

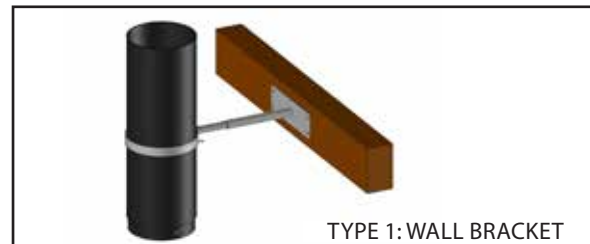
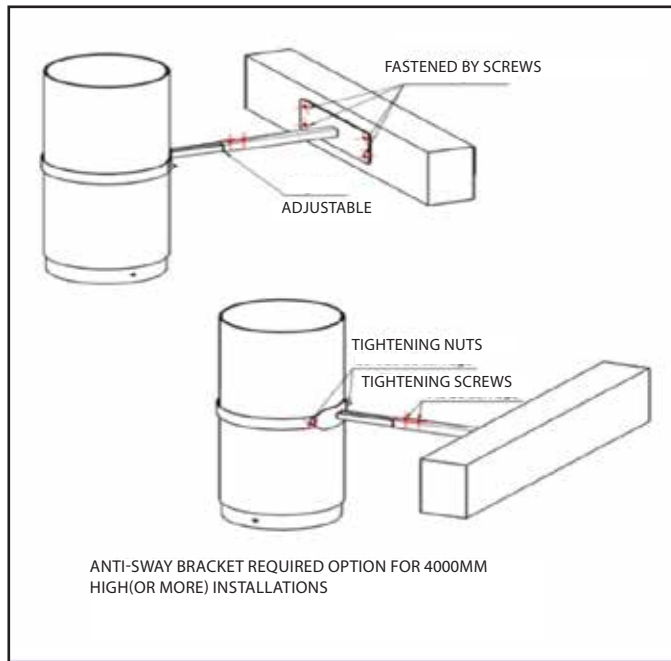


TATIANA 997 INSTALLATION GUIDE CONTINUED

6. INSTALLING ANTI-SWAY BRACKET

If the TATIANA 997 reaches a height of more than 4 meters from floor to ceiling then an Anti-Sway bracket must be installed to stabilize the installation and prevent oscillations which might, in the long run, loosen fasteners.

TYPES OF ANTI SWAY BRACKETS



EVA 992 INSTALLATION GUIDE CONTINUED

2. INSTALLING THE ADDITIONAL PIPES

For added height (floor to ceiling), install the additional pipes(if required), onto the dropper box(using the 3 screws TF M8x16).

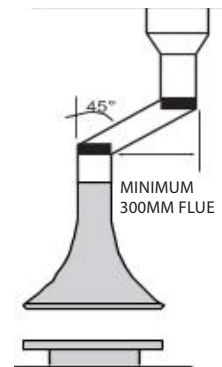
INSTALLING THE FIREPLACE

Install the EVA 992 onto the dropper box (or the additional pipe if requested) with the lower shelf of the fireplace 820 mm above the floor.

3. 45° OFFSETS OF CONNECTING FLUES

The connecting flue should not include more than two 45° offsets (i.e. more than one non-vertical portion), the angle of these offsets should not exceed 45° with the vertical.

IMPORTANT: When a controlled mechanical ventilation includes an electric extractor, it is absolutely necessary to stop operation of the fireplace. The electric extractors of the kitchen, the bathroom, or the toilets, should also be switched off when operating the fireplace.



4. INSTALLING THE HEARTH NON-COMBUSTIBLE

Centred on the planned location of the fireplace, install a hearth made of approved non-combustible material such as ceramic tiles, stone, masonry or concrete etc.

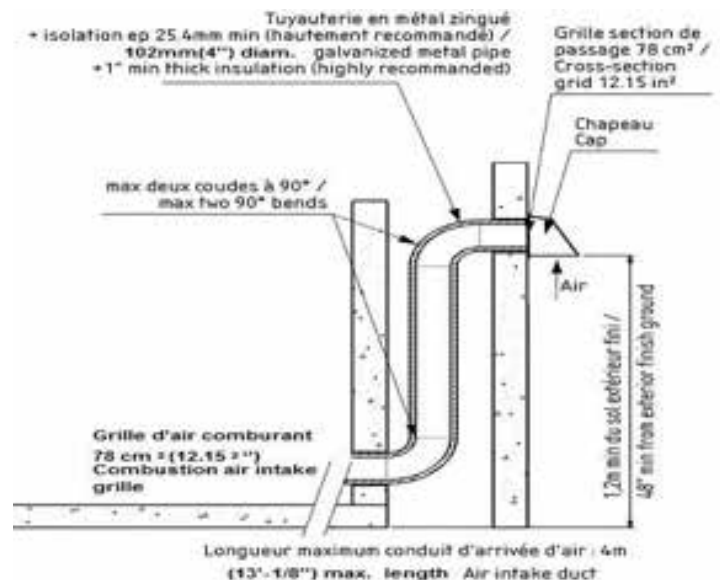
5. OUTDOOR AIR VENTS

MINIMUM 2 OUTSIDE AIR VENTS ARE REQUIRED

This air intake is essential for the operation of this appliance. The air intake should be located in an area vented to the outdoors or in an area exposed to non de pressurised prevailing winds.

The air intake outlets should be located as close as possible to the appliance. The air intake should be vermin proof.

The minimum fresh air intake for the EVA 992 is 1200cm²



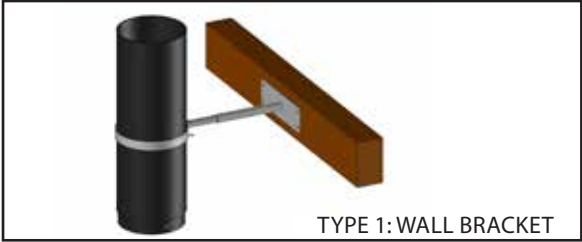
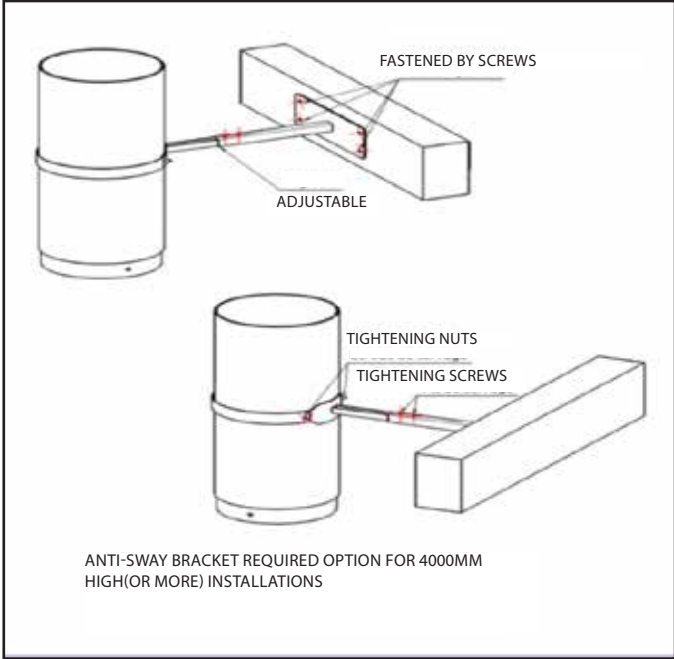
TO BE UPDATED WITH EVA BURNER DETAILS

EVA 992 INSTALLATION GUIDE CONTINUED

6. INSTALLING ANTI-SWAY BRACKET

If the EVA 992 reaches a height of more than 4 meters from floor to ceiling then an Anti-Sway bracket must be installed to stabilize the installation and prevent oscillations which might, in the long run, loosen fasteners.

TYPES OF ANTI SWAY BRACKETS



INSTALLATION OF A VENTED GAS FIRE LOG SET IN A BORDELET TATIANNA 997 CENTRALLY-LOCATED OPEN FIREPLACE.

This fireplace has knockouts for the installation of a pipe for natural gas or propane for connection to a 61cm(24") max. width vented gas fire log set (max. capacity 16.2 kw / 55 mj per hour):

1. Incorporating an automatic shutoff device: and
2. Complying with AS/NZS 2918:2001, the Standard for Decorative Gas Burning Appliances For Installation In Solid-Fuel Burning Factory-Built Fireplaces approved to UL 127: and
3. That this installation is for a vented gas-fired heater. It uses air (oxygen) from the room in which it is installed. Adequate quantities of combustion and ventilation air must be provided. The installation and the provisions for combustion and ventilation air must conform with the AS/NZS 2918:2001 Installation Code for natural gas and propane: and
4. That, in Australia , the installation and service of the vented gas fire log set be made by a licensed gas fitter or plumber licensed for gas installations: and
5. That, since the vented gas log set is designed as an attended appliance, it can only be operated in the presence of adults. Do not operate the vented gas log set if unattended, or in the presence of unattended children, especially those under 8 years of age, or while anyone is sleeping: and
6. That, solid fuels, garbage, scrap paper, cardboard or lumber must never be burnt on top of a vented gas log set installed in a factory-built fireplace.

CAUTION: Do not install this fireplace/vented gas log combination in a confined space or in tightly constructed house without providing for combustion and ventilation air as stated in the Australian Standard Installation Code for natural gas and LPG

NOTE: Make sure that the proper gas type will be supplied to the vented gas fire log set as stated on the manufacturer's name plate before connecting it to any gas line. There is a flared fitting installed on the appliance at the factory. Ensure fittings are of the appropriate size on any tubing that is to be connected to the appliance. If the gas supply tubing has to be cut to length and shaped, be sure to use the proper cutting and flaring tool. Also, be careful not to crimp the tubing when it is being bent for connection which could restrict the gas flow to the appliance. If a crimp does occur in the tubing, do not use for installation. Gas resistant pipe compound must be used on all threaded male connections, *with the exception of brass to brass fittings.*

Does this need to be included?

CAUTION: An external pressure regulator is required for L.P. gas to reduce supply pressure to a maximum of 13" W.C. It is required to use an exterior L.P. gas fuel tank of not less than 45kg capacity.

WARNING: An explosion could occur if a connection is made directly to an unregulated LP gas tank.

The gas line supplying the vented gas fire log set must be of sufficient size to furnish adequate supply pressure to the gas log set while operated on the high setting. The vented gas fire log set must be inspected before use and must only be installed in a solid-fuel burning UL 127 approved factory-built fireplace with a working flue. During the installation, do not substitute or use materials or components other than those supplied for use with the vented gas fire log set.

WARNING: CARBON MONOXYDE POISONING MAY LEAD TO DEATH

When used without proper levels of combustion air, vented gas log sets may give off carbon monoxide, an odorless, colorless, poisonous gas. Certain people such as: pregnant women, or suffering from heart or liver disease, anemia, or intoxicated by alcohol, or residing at high altitude are more affected by carbon monoxide than others. Some symptoms related to carbon monoxide poisoning resemble flu symptoms, or painful headaches, or dizziness and/or nausea. If you or anybody else in your household shows these symptoms, the gas log set may not be installed or operating properly and/or the chimney may be obstructed or blocked.

OPEN A WINDOW AT ONCE TO GET SOME FRESH AIR AND SHUT OFF THE GAS LOG SET IMMEDIATELY.

Before using it again, have the gas log set and the chimney checked by a licensed gas fitter. And to prevent recurrence of these problems, have a licensed heating contractor install an outdoor combustion air intake leading to the room where the combination fireplace/gas log set is installed.

INSTALLATION OF A VENTED GAS FIRE LOG SET IN A BORDELET EVA 992 CENTRALLY-LOCATED OPEN FIREPLACE.

This fireplace has knockouts for the installation of a pipe for natural gas or propane for connection to a 61cm(24") max. width vented gas fire log set (max. capacity 16.2 kw / 100 mj per hour):

1. Incorporating an automatic shutoff device: and
2. Complying with AS/NZS 2918:2001, the Standard for Decorative Gas Burning Appliances For Installation In Solid-Fuel Burning Factory-Built Fireplaces approved to UL 127: and
3. That this installation is for a vented gas-fired heater. It uses air (oxygen) from the room in which it is installed. Adequate quantities of combustion and ventilation air must be provided. The installation and the provisions for combustion and ventilation air must conform with the AS/NZS 2918:2001 Installation Code for natural gas and propane: and
4. That, in Australia , the installation and service of the vented gas fire log set be made by a licensed gas fitter or plumber licensed for gas installations: and
5. That, since the vented gas log set is designed as an attended appliance, it can only be operated in the presence of adults. Do not operate the vented gas log set if unattended, or in the presence of unattended children, especially those under 8 years of age, or while anyone is sleeping: and
6. That, solid fuels, garbage, scrap paper, cardboard or lumber must never be burnt on top of a vented gas log set installed in a factory-built fireplace.

CAUTION: Do not install this fireplace/vented gas log combination in a confined space or in tightly constructed house without providing for combustion and ventilation air as stated in the Australian Standard Installation Code for natural gas and LPG

NOTE: Make sure that the proper gas type will be supplied to the vented gas fire log set as stated on the manufacturer's name plate before connecting it to any gas line. There is a flared fitting installed on the appliance at the factory. Ensure fittings are of the appropriate size on any tubing that is to be connected to the appliance. If the gas supply tubing has to be cut to length and shaped, be sure to use the proper cutting and flaring tool. Also, be careful not to crimp the tubing when it is being bent for connection which could restrict the gas flow to the appliance. If a crimp does occur in the tubing, do not use for installation. Gas resistant pipe compound must be used on all threaded male connections, *with the exception of brass to brass fittings.*

Does this need to be included?

CAUTION: An external pressure regulator is required for L.P. gas to reduce supply pressure to a maximum of 13" W.C. It is required to use an exterior L.P. gas fuel tank of not less than 45kg capacity.

WARNING: An explosion could occur if a connection is made directly to an unregulated LP gas tank.

The gas line supplying the vented gas fire log set must be of sufficient size to furnish adequate supply pressure to the gas log set while operated on the high setting. The vented gas fire log set must be inspected before use and must only be installed in a solid-fuel burning UL 127 approved factory-built fireplace with a working flue. During the installation, do not substitute or use materials or components other than those supplied for use with the vented gas fire log set.

WARNING: CARBON MONOXYDE POISONING MAY LEAD TO DEATH

When used without proper levels of combustion air, vented gas log sets may give off carbon monoxide, an odorless, colorless, poisonous gas. Certain people such as: pregnant women, or suffering from heart or liver disease, anemia, or intoxicated by alcohol, or residing at high altitude are more affected by carbon monoxide than others. Some symptoms related to carbon monoxide poisoning resemble flu symptoms, or painful headaches, or dizziness and/or nausea. If you or anybody else in your household shows these symptoms, the gas log set may not be installed or operating properly and/or the chimney may be obstructed or blocked.

OPEN A WINDOW AT ONCE TO GET SOME FRESH AIR AND SHUT OFF THE GAS LOG SET IMMEDIATELY.

Before using it again, have the gas log set and the chimney checked by a licensed gas fitter. And to prevent recurrence of these problems, have a licensed heating contractor install an outdoor combustion air intake leading to the room where the combination fireplace/gas log set is installed.

INSTALLATION OF A VENTED GAS FIRE LOG SET

A vented gas log set shall not be installed in a confined space or in a building with unusually tight construction unless provisions are made for adequate combustion and ventilation air.

A building with unusually tight construction is defined as structure where :

1. Exposed walls and ceilings have a 1 permanent continuous vapor barrier with openings gasketed or sealed,
2. Weather stripping has been added to windows and doors,
3. Caulking has been applied to joints around windows and door frames, between sole plates, floors, wall-ceiling joints, wall panels, penetrations for plumbing, electrical wires, gas lines, vents and other openings.

To determine if the area where the vented gas log set is to be installed is determined as an unconfined space use the following formula:

Length x Width x Height (min. 2.4m) x 20 = Maximum Input Building Squares's Allowed.

Rooms communicating directly with the space in which the gas log set is installed, through open-ings not furnished with doors, are considered part of the unconfined space. To install a vented gas log set of a capacity of 16.2 kw/hr, the room volume must be at least 78 m³.

To determine the minimum permanent free opening that must be provided by the smoke pipe damper to vent the flue gases, follow the recommendations provided in Table 1. If the free opening is smaller than the specified area, do not install the vented gas fire log set. The smoke pipe damper must be fixed in a manner which will maintain the minimum permanent vent opening at all times.

Table 1: Smoke Pipe Minimum Permanent Free Opening with Damper Clamp

TOTAL HEIGHT CHIMNEY	MIN. AREA OF FREE OPENING
4.6M (MIN HEIGHT)	225.81 CM ²
6.0M	200.00 CM ²
7.6M	193.6 CM ²
9.2M	180.7 CM ²

Note: Minimum chimney height with a vented gas log set is 4.6m.

WARNING

The vented gas log set is designed as an attended appliance and can only be operated in the presence of adults. Do not operate the vented gas log set if unattended, or in the presence of unattended children, especially those under 8 years of age, or while anyone is sleeping. Do not place stockings, clothing or any flammable material above or near the fireplace.

The fireplace and vented gas log set function as a system. If flames or combustion gases spill out of the fireplace into the room (check with a match or smoke stick), make sure that no exhaust fans, exhaust hoods and clothes dryers are creating a negative pressure within the home, if so, please shut them all down. If the condition persists with all fans off, then the flue damper must be readjusted, by a licensed gas fitter, to a larger opening until a positive draft is obtained.

Fireplace systems that do not draft properly can increase the amount of soot produced by the vented gas log set and, in extreme cases, can cause soot to be deposited within the room. This effect can be a sign of a blocked chimney, a faulty vent system or the result of negative air pressure within the home. A licensed gas fitter should be able to determine if such a problem exists and be able to provide a solution to the improper venting of the fireplace/gas log set combination as outlined earlier in this manual.

Warning: Do not use the vented gas fire log set and it's associated fireplace if any part of either device has been submerged in water. Immediately call a licensed gas fitter to inspect the fireplace/vented gas fire log set and to replace any part which has been submerged under water including the gas valve, burner tubes, pilot, igniter and all components related to the gas control system.

Caution: Do not put furniture or other objects around the fireplace that will obstruct the flow of combustion air. Maintain a minimum clearance of 1.2m to all objects around the fireplace. Keep the room where the fireplace is situated clear and free from combustible material. Gasoline and other flammable vapors and liquids must be stored in sealed containers in a well-ventilated room or structure that does not adjoin the room where the fireplace is situated. The fireplace firescreen must always be installed when using the gas log set.

INSTALLATION OF A VENTED GAS FIRE LOG SET IN TATIANA 997

PREPARING THE FIREPLACE

1. If fireplace has been used to burn wood, remove fireplace grate and remove all accumulated ashes. Replace grate with mounting plate for gas fire log.
2. Remove bottom knockout of fireplace and the suitable one on top of mounting plate in preparation of installation of gas pipe. Thread flexible gas pipe through knockouts without kinking it. Refer Figure 1.
3. Permanently fix mounting plate for gas fire log set to fireplace.
4. Make sure that the proper gas will be supplied to the gas log set as stated on gas log set manufacturer's nameplate before attempting to mount gas fire log set on fireplace.
5. Center gas fire log set on mounting plate, making sure that proper clearance will be maintained from the firescreen to prevent damaging it, drill mounting holes and bolt/screw on gas fire log set.
6. Connect gas line to gas control of fire log, and pressure test the installation to ensure that there are no leaks. If there are no leaks, proceed to install the decorative fire logs and open manual shutoff valve.
7. Light gas fire log at maximum setting, install firescreen using two cool hand tools and make sure that no flames are spilling out of the fireplace and all products of combustion vent up the chimney. If there are problems with improper draft at this point, make sure no vents are open or fans are operating and that there are no other factors influencing the draft.

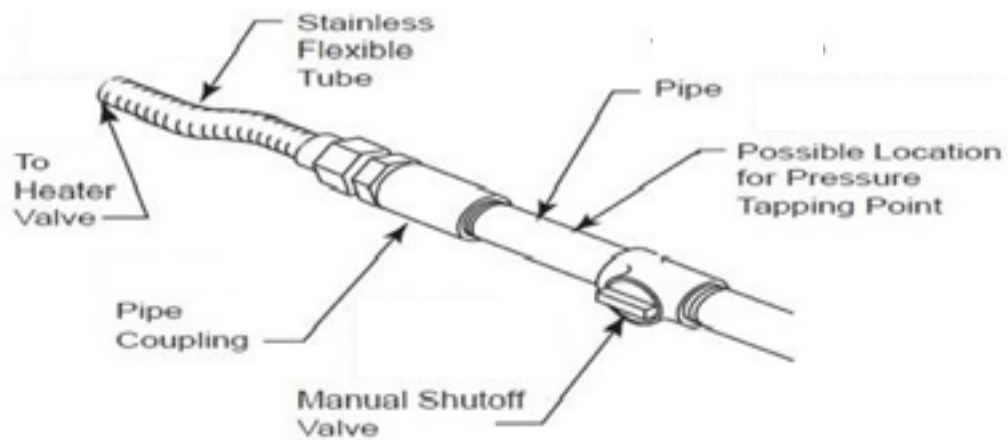
TO BE UPDATED WITH TATIANA DIAGRAM

INSTALLATION OF A VENTED GAS FIRE LOG SET IN EVA 992

PREPARING THE FIREPLACE

1. If fireplace has been used to burn wood, remove fireplace grate and remove all accumulated ashes. Replace grate with mounting plate for gas fire log.
2. Remove bottom knockout of fireplace and the suitable one on top of mounting plate in preparation of installation of gas pipe. Thread flexible gas pipe through knockouts without kinking it. Refer Figure 1.
3. Permanently fix mounting plate for gas fire log set to fireplace.
4. Make sure that the proper gas will be supplied to the gas log set as stated on gas log set manufacturer's nameplate before attempting to mount gas fire log set on fireplace.
5. Center gas fire log set on mounting plate, making sure that proper clearance will be maintained from the firescreen to prevent damaging it, drill mounting holes and bolt/screw on gas fire log set.
6. Connect gas line to gas control of fire log, and pressure test the installation to ensure that there are no leaks. If there are no leaks, proceed to install the decorative fire logs and open manual shutoff valve.
7. Light gas fire log at maximum setting, install firescreen using two cool hand tools and make sure that no flames are spilling out of the fireplace and all products of combustion vent up the chimney. If there are problems with improper draft at this point, make sure no vents are open or fans are operating and that there are no other factors influencing the draft.

TO BE UPDATED WITH EVA BURNER DETAILS & DIAGRAM



Typical components of a supply gas line, natural or propane

The maximum permissible length of flexible gas line is 91cm(36") and must be provided with a manual shutoff valve.

INSTALLATION OF THE GAS LOG BURNER IN TO TATIANA 997

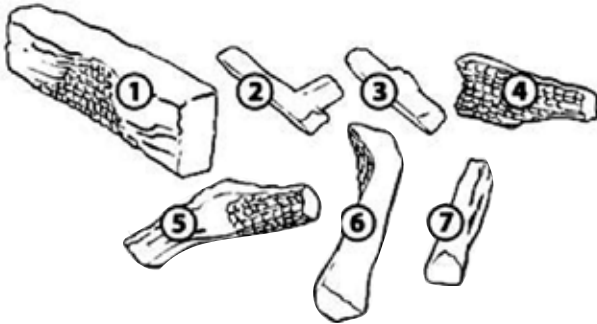
FITTING THE GAS GRATE

1. The position of the gas control and inlet is on the right hand side. A regulator is supplied when fitting to natural gas. A gas cock must be fitted prior to the burner to enable the unit to be removed for servicing. (It is recommended that the fireplace and chimney be cleaned prior to fitting the gas unit).
2. Cut and debur both ends of pipe. Fit the end to the gas supply point and turn on for approximately 5 seconds to clear the pipe of any dirt or grit. Fit the other end to the gas unit.
3. The regulator supplied and attached to the appliance is for natural gas.
4. Turn on the gas and check all connections for leaks using soapy water for approved method. Fix any leaks.
5. This appliance is approved for use only or. Natural Gas and must not be converted to any other gas.

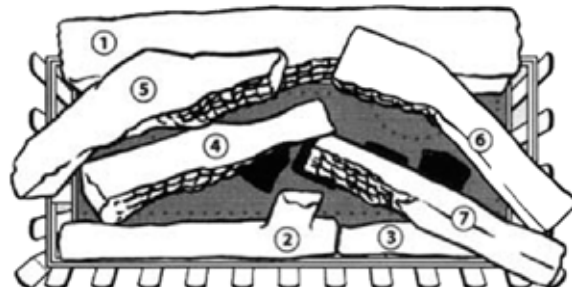
ADJUSTING PRESSURE, PILOT AND LOW FIRE

1. All settings are set to operate at appropriate pressures (see data plate). Test point is located on gas valve,
2. Check low fire if adjusted correctly.

PLACEMENT OF LOGS

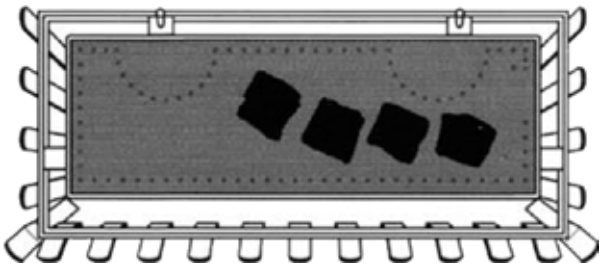


It is important to only use logs supplied by the manufacturer as other logs may effect combustion.



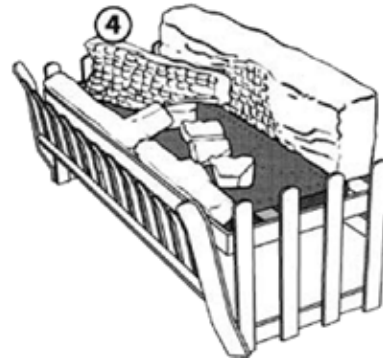
POSITIONING OF ALL LOGS

1. It is important to follow the log recommended positioning.
2. Not doing so can adversely effect the operation of the appliance.
3. This diagram shows the recommended log positions, when viewed from above



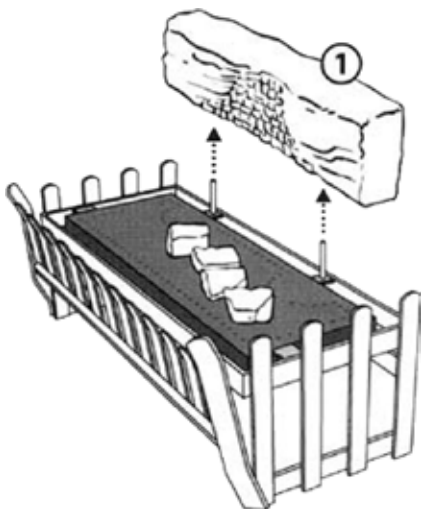
1. LOCATE 4 CERAMIC COALS

Four Ceramic coals are supplied with the burner base. These coals must be laid in the position indicated on the drawing with taller coals on the ends and smaller coals in-between



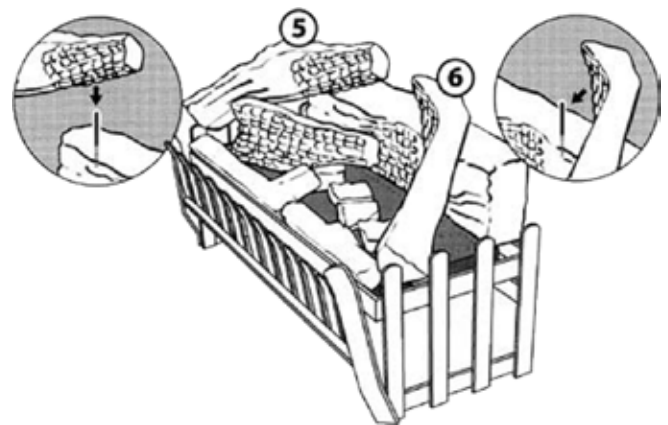
4. LOCATE LOG NO. 4

This log is placed with the thinner edge on the smaller coal. The charred effect is facing towards the front of the burner. The whole log is positioned on the burner base.



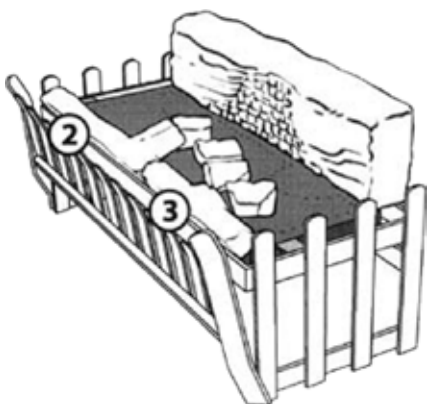
2. LOCATE LOG NO. 1

This is the largest log that is positioned at the rear of the grate. Two locating pins are positioned at the rear of the burner. The large log has two holes on the underside to position in place.



5. LOCATE LOG NO'S 5 & 6

Log no. 5 is positioned onto the larger rear log on the left hand side. The charred effect faces inwards and the bark effect on the outside. The left hand side of the log is positioned between the metal uprights on the side of the grate. Log no. 6 is positioned in the same manner but on the right hand side of the burner with the right hand side of the logs positioned between the metal uprights of the grate. Two pins are provided to firmly position these two logs onto the large rear log. (no.1).



3. LOCATE LOG NO'S 2 & 3

Two front log no's. 2 and 3 are supplied to fit into the space between the metal frame and the ceramic base. These logs do not cover the front burner ports but are designed to deflect the front flame back into the fire.



6. LOCATE LOG NO. 7

The charred effect of the log is positioned on the smaller coal in the centre of the burner on the right hand side. The right hand side of the log is positioned between the front metal upright on the side.

INSTALLATION OF THE GAS LOG BURNER IN TO EVA 992

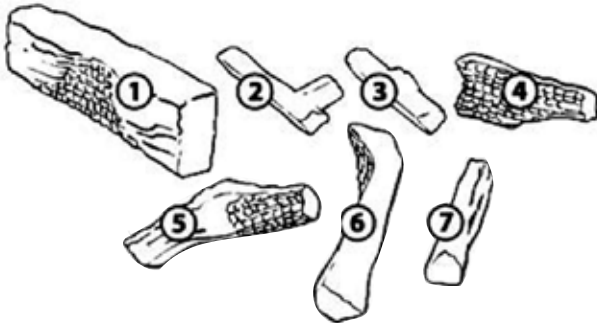
FITTING THE GAS GRATE

1. The position of the gas control and inlet is on the right hand side. A regulator is supplied when fitting to natural gas. A gas cock must be fitted prior to the burner to enable the unit to be removed for servicing. (It is recommended that the fireplace and chimney be cleaned prior to fitting the gas unit).
2. Cut and debur both ends of pipe. Fit the end to the gas supply point and turn on for approximately 5 seconds to clear the pipe of any dirt or grit. Fit the other end to the gas unit.
3. The regulator supplied and attached to the appliance is for natural gas.
4. Turn on the gas and check all connections for leaks using soapy water for approved method. Fix any leaks.
5. This appliance is approved for use only or. Natural Gas and must not be converted to any other gas.

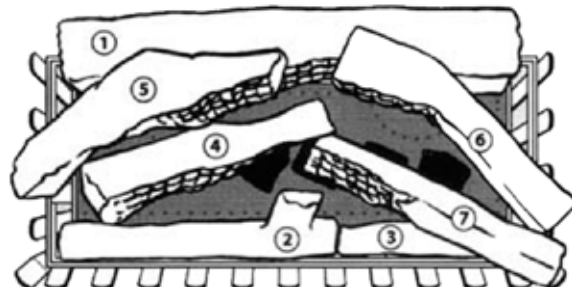
ADJUSTING PRESSURE, PILOT AND LOW FIRE

1. All settings are set to operate at appropriate pressures (see data plate). Test point is located on gas valve,
2. Check low fire if adjusted correctly.

PLACEMENT OF LOGS



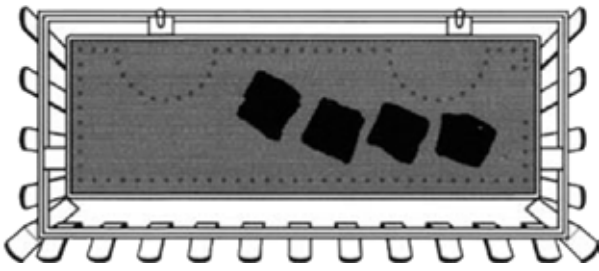
It is important to only use logs supplied by the manufacturer as other logs may effect combustion.



POSITIONING OF ALL LOGS

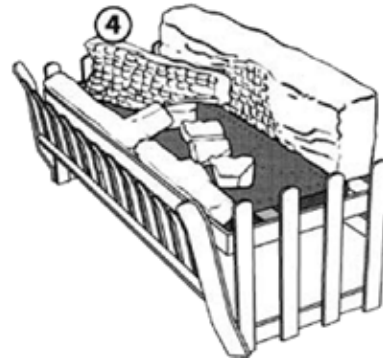
1. It is important to follow the log recommended positioning.
2. Not doing so can adversely effect the operation of the appliance.
3. This diagram shows the recommended log positions, when viewed from above

TO BE UPDATED WITH EVA BURNER DETAILS



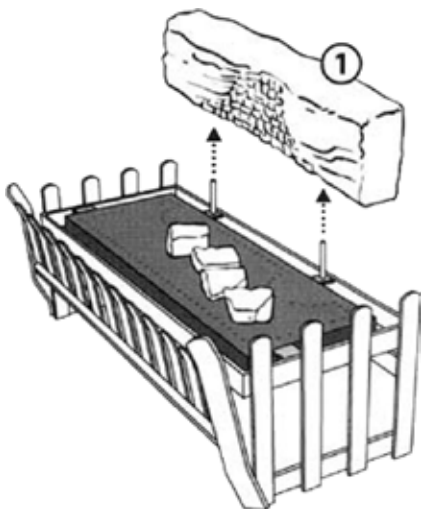
1. LOCATE 4 CERAMIC COALS

Four Ceramic coals are supplied with the burner base. These coals must be laid in the position indicated on the drawing with taller coals on the ends and smaller coals in-between



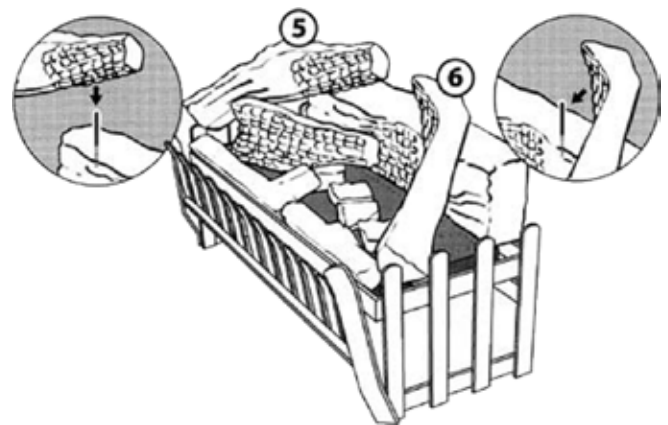
4. LOCATE LOG NO. 4

This log is placed with the thinner edge on the smaller coal. The charred effect is facing towards the front of the burner. The whole log is positioned on the burner base.



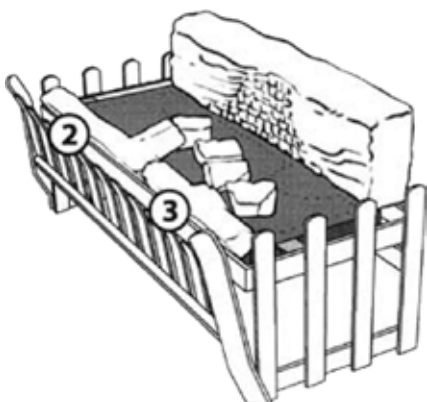
2. LOCATE LOG NO. 1

This is the largest log that is positioned at the rear of the grate. Two locating pins are positioned at the rear of the burner. The large log has two holes on the underside to position in place.



5. LOCATE LOG NO'S 5 & 6

Log no. 5 is positioned onto the larger rear log on the left hand side. The charred effect faces inwards and the bark effect on the outside. The left hand side of the log is positioned between the metal uprights on the side of the grate. Log no. 6 is positioned in the same manner but on the right hand side of the burner with the right hand side of the logs positioned between the metal uprights of the grate. Two pins are provided to firmly position these two logs onto the large rear log. (no.1).



3. LOCATE LOG NO'S 2 & 3

Two front log no's. 2 and 3 are supplied to fit into the space between the metal frame and the ceramic base. These logs do not cover the front burner ports but are designed to deflect the front flame back into the fire.



6. LOCATE LOG NO. 7

The charred effect of the log is positioned on the smaller coal in the centre of the burner on the right hand side. The right hand side of the log is positioned between the front metal upright on the side.

OPERATION & USER GUIDE

LIGHTING THE FIRE

The positions of the control valve are depicted on the control panel fitted around the control knob.

If the main burner or pilot light are extinguished for any reason do not attempt to re-light the pilot within three minutes.

The off position prevents any gas from passing through the control valve to either the pilot burner or to the main burner.

By pressing the control knob in, it is possible to turn it anti-clockwise. The first function is to turn on the gas to the pilot, this occurs just before reaching the pilot position. (If the fire has not been lit for some time it may be necessary to hold the knob in this position for some seconds to clear the air from the pipe and allow gas to reach the pilot burner). Once gas is available at the pilot, continual rotation anti-clockwise will cause the piezo ignitor to spark. This is accompanied by a click at the valve, and should result in the pilot burner igniting. This should be verified by looking at the left-hand side of the fire tray, behind the coal piece.

Once the pilot is lit the control knob should continue to be pressed in for 10-20 seconds. In this time the pilot flame will have heated the flame supervision thermocouple sufficiently to operate a hold on the magnet within the valve. The knob should then be turned so that the pointer is approximately horizontal. This allows gas at a low rate to enter the burner and be ignited by the pilot flame. Once the fire has fully crossed lit, allow approximately 15 seconds at this setting to allow the flame to fully establish before setting to any level between Maximum and Minimum by adjusting the control knob accordingly.

To turn off the main burner, turn the control to MIN - press the knob gently until it will turn clockwise to the pilot position. To turn off the pilot press knob and turn to off.

If burnback occurs underneath the burner, turn control knob to the off position. Then re-light the fire. If this problem re-occurs switch off the unit and call your gas installer.

SEQUENCE TO LIGHT

1. From off press the control knob in and turn slowly anti-clockwise
2. when the ignition click occurs, check that the pilot is lit (if not repeat 1 & 2).
3. Hold knob in for 10 - 20 seconds
4. Release knob and check pilot remains alight
5. Turn knob until pointer is horizontal. The fire should then ignite
6. Let fire fully cross ignite and allow approximately 15 seconds
7. Adjust flames to required level without pressing knob

SEQUENCE TO EXTINGUISH

1. Turn control knob clockwise to minimum position
2. Press knob gently until able to continue turning clockwise to pilot
3. To extinguish the pilot, press knob and turn to off, although it is in order to leave the pilot permanently lit.

OPERATION & USER GUIDE

PRECAUTIONS FOR THE FIRST IGNITION

The fresh paint on the fireplace needs to be cured to preserve its finish and quality. For the first 40 hours of operation, only burn fire on low setting.

PAINT

It is strongly recommended that no person(s) come into contact with the external faces of the appliance without the protection provided(gloves), this will avoid any "marking" the paint surface prior to it being cured. The paint will polymerise after several fires. Do not scrub or clean the fireplace with any rough surface(such as a sponge). In the case of accidental scratches, make several fires until the paint is cured, at which time you can delicately clean the outside of the appliance with a hot sponge. Do not scratch or rub the fireplace while it is lit. It is recommended contact with the fireplace should be kept to a minimum. Do not paint the fireplace using products NOT recommend by the supplier, please contact Sculpt Fireplace Collection should you require further assistance.

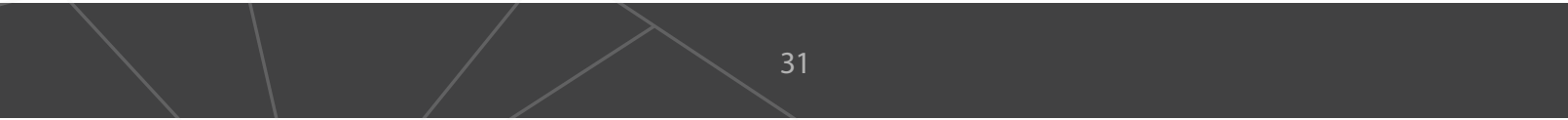
VENTILATION

A strong burning smoke odour maybe smelt during the first several fires, it is therefore recommended to ventilate the premises by opening windows and doors in order for the paint to cure. This phenomenon will disappear after these initial burns cycles.

For safety reasons, assemblies of appliances and accessories not provided or recommended by JC Bordelet or Sculpt Fireplaces are NOT PERMITTED, and will void any warranties. Unsuitable equipment may cause dysfunctions and disorder upon use).

MAINTENANCE

It is recommended an annual service is carried out every 12 months in order for the appliance to meet



TEST REPORTS

BORDELET APPLIANCE OUTPUT TEST

TESTING LABORATORY	HRL Technology
MANUFACTURER	JC BORDELET
MODEL	EVA 992 TATIANA 997 ZELIA 908 LEA 998
ISSUE DATE	09.12.2015
INVESTIGATING OFFICER	Steve Marland
RESULTS	The maximum carbon dioxide output of the EVA 992 / TATIANA 997 / ZELIA 908 was performed at the high burn rate prescribed in AS/NZS4013 (2014) gave a maximum carbon dioxide output of 3.2% (by volume). And 2.8% (by volume) for the LEA 998.
CONCLUSION	Based on this result, exemption from testing the EVA 992 / TATIANA 997 / ZELIA 908 / LEA 998 solid fuel appliance should be claimed under section 1.2.3 (f) of AS/NZS4013 (2014) as the maximum carbon dioxide output from combustion is less than 5% by volume when fired at the prescribed high burn rate.

JC BORDELET
créateur d'harmonie

WARRANTY

Bordelet fireplaces are guaranteed for 5 years. This excludes the fire grate retainers and gas burners which are guaranteed for 1 year. Glass is not covered under any warranty.

The warranty becomes effective at the date of purchase.

WARRANTY DOES NOT COVER

1. Door seals, ropes, gaskets and glass
2. Any form of rust and/or corrosion to the painted finish of the heater
3. Salted air of a coastal region or a highly humid environment may contribute to some oxidation of the steel, in this case the warranty is therefore not valid for damages originating from these causes
4. All defects or faults resulting from poor maintenance, inappropriate use or a non-compliant installation which does not abide by Australian & New Zealand Standards AS/NZS 2918:2001 or instructions are listed in this manual are not warranted
5. Any device or accessory not provided by Bordelet or Sculpt Fireplace Collection are strictly forbidden and will result in a void of all warranties by the manufacturer and distributor
6. No modifications can be made to the firebox or to original components supplied with the appliance
7. The manufacturer and distributor are by no means responsible for any indirect damage originating from a handling accident.
8. Cost of removal of a defective heater or re-installation of a replacement heater is not covered
9. Any glass breakage can only result from poor assembly, from impact or incorrect use of the appliance. Glass is not covered under warranty.

PERFORMANCE

The performance of our fireplaces are given as an indication and comparison after testing under optimum conditions. These values reported under standard conditions may be subject to variations if the installation and conditions of use are not equivalent to our testing conditions. In any case, the closed fireplace remains an extra heater and should not replace a main heating system.

WARRANTY CLAIMS

Any defects /faults resulting from negligent maintenance, poor installation practices, altering or repair of the appliance not recommended by the supplier or inappropriate use of the appliance, are excluded from being covered under the warranty.

In the case of a faulty part, the user should immediately inform the retailer and the retailer the distributor, Sculpt Fireplace Collection.

For all warranty claims, we will require photos, proof of purchase and the date of installation along with the compliance certificate from your licensed installer.


The guarantee is strictly limited to the exchange or repair by ourselves of parts agreed to be defective, without exception. Costs of dismantling, assembly and transport will under no circumstance be covered by this warranty, the manufacturer, distributor and should be handled between the user and installer.

WARRANTY CARD

DATE OF PURCHASE
PLACE OF PURCHASE
DATE OF INSTALLATION
COMPLIANCE CERTIFICATE NO.
MODEL NO.
NAME AND ADDRESS OF PURCHASER
PHONE NO.
EMAIL ADDRESS
Please include a copy of your receipt and compliance certificate

EMAIL OR POST WARRANTY INFORMATION TO
 info@sculptfireplaces.com.au
 PO Box, 1232 Mornington, VIC 3931
 1300 851 304

JC BORDELET
 créateur d'harmonie



Whilst every effort is taken to avoid errors, SCULPT FIREPLACE COLLECTION cannot accept responsibility for the accuracy of any statement, extract or information contained within this manual nor can any of its contributors who have submitted material for inclusion. SCULPT FIREPLACE COLLECTION may change or update this manual and anything described in it without notice. We will endeavour to ensure that information, materials and data on this site are complete, accurate and up-to-date. Information on this manual is for guidance only and cannot cover all circumstances. (E&OE)

Sculpt Fireplace Collection is an Australian owned company who exclusively supply some of world's most sought after high-end luxury fireplaces.

Intent on providing Australians with a dynamic collection of designer fires, Sculpt fireplace collection has strategically gathered not only award winning fireplace designs, but also fireplaces that have been manufactured with high quality materials and the best raw steel that is built to last.

Our wood fire manufacturers integrate innovation, technology, environmental impact, operational expertise and quality, whilst holding design at the forefront. We aim to fill homes with the maximum of comfort while capturing the true art and meaning of a sculptural fireplace in any living space.



JC BORDELET
créateur d'harmonie

SEGUIN
DUTÉRIEZ

Sculpt is proud to be the sole importer of Seguin, Axis and Bordelet fireplaces, with exclusive distribution rights throughout Australia and New Zealand.



SCULPT™
FIREPLACE
COLLECTION

1300 851 304
info@sculptfireplaces.com.au
www.sculptfireplaces.com.au

Edition 12/03/2021