

FAS120 Series by AXIS

SCULPT™
FIREPLACE
COLLECTION

Introducing the FAS120 Series by Axis

Refined Performance. Architectural Intent.

The FAS120 represents the evolution of contemporary wood fire design. Engineered for high performance and architectural integration, each model combines robust European craftsmanship with a refined material palette and disciplined form.

Internally, cast iron liners deliver exceptional thermal stability and sustained radiant heat. Externally, the minimalist façade allows the fire to become a deliberate architectural feature, not an afterthought.

Designed to meet Australian performance standards while maintaining the integrity of European manufacturing, the FAS Series offers flexibility across single sided, double sided and corner configurations. Every detail has been considered for specification, from clean framing to precise proportions and dependable combustion technology.

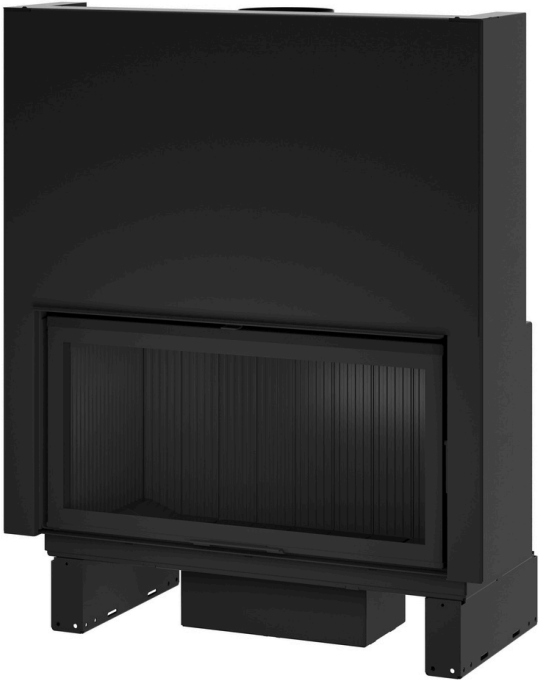
Performance without compromise. Fire, elevated.





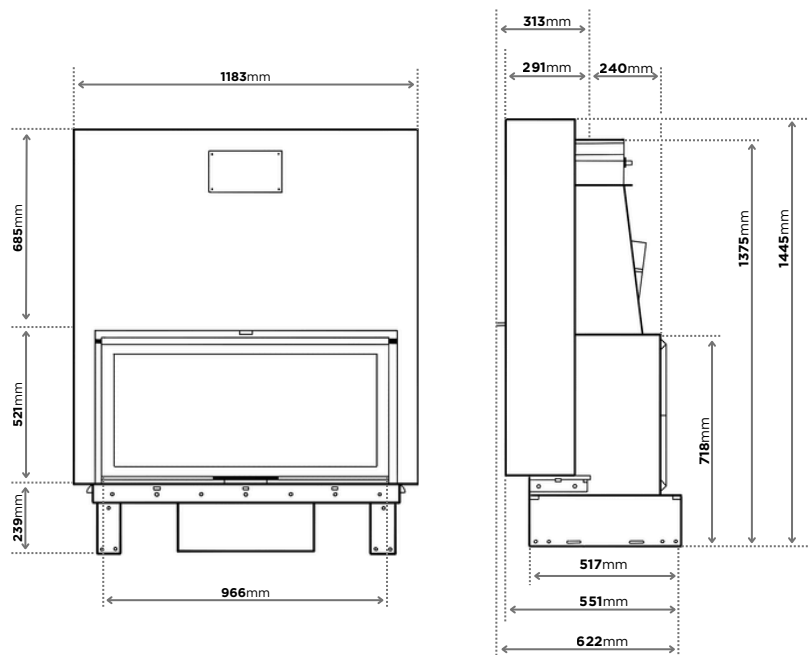
FAS120 SS Single Sided

The FAS120 Single Sided delivers bold scale with architectural restraint. The generous firebox creates a strong presence, ideal for anchoring contemporary living spaces.



Emissions	0.8 g/kg
Efficiency	62%
KW Output	>25 kW
Facade	Clean Face or 4 Sided Trim
Features	Outdoor Air Compatible Glass Wash System Double Combustion High Performance Air Flow Crafted In France Angled Base with Log Retention
Weight	290kg
Warranty	5 Years
Flue Sizing	230, 280, 330 mm

Dimensions





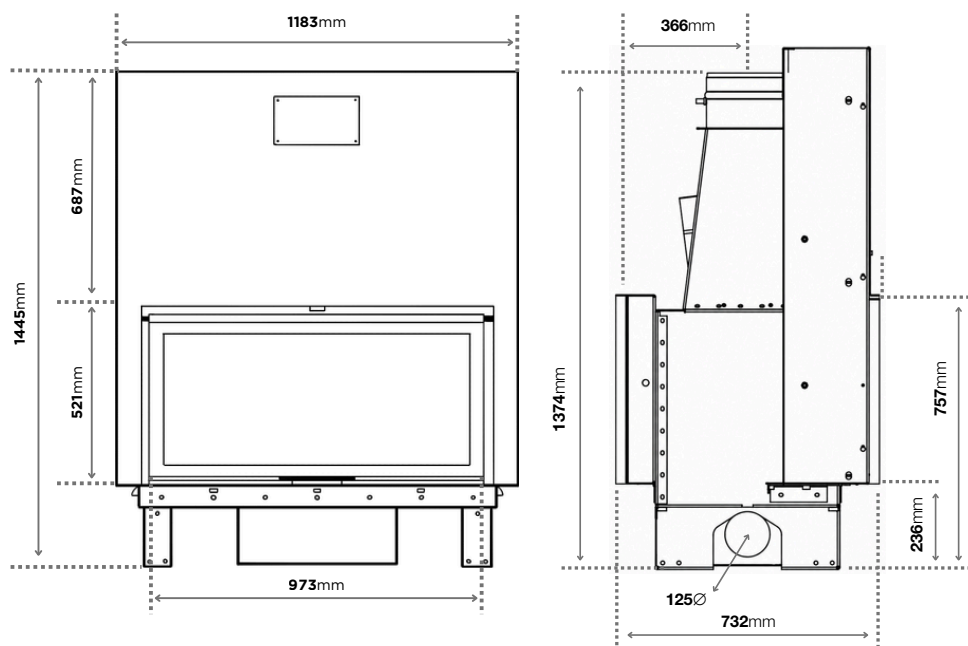
FAS120 DS Double Sided

The FAS120 Double Sided delivers bold scale with a true architectural connection between spaces. The expansive see-through firebox creates a striking visual link, ideal for dividing and defining open-plan living areas while maintaining warmth and flow throughout.



Emissions	0.8 g/kg
Efficiency	62%
KW Output	>25 kW
Facade	Clean Face or 4 Sided Trim
Features	Outdoor Air Compatible Glass Wash System Double Combustion High Performance Air Flow Crafted In France Angled Base with Log Retention
Weight	290kg
Warranty	5 Years
Flue Sizing	230, 280, 330 mm

Dimensions





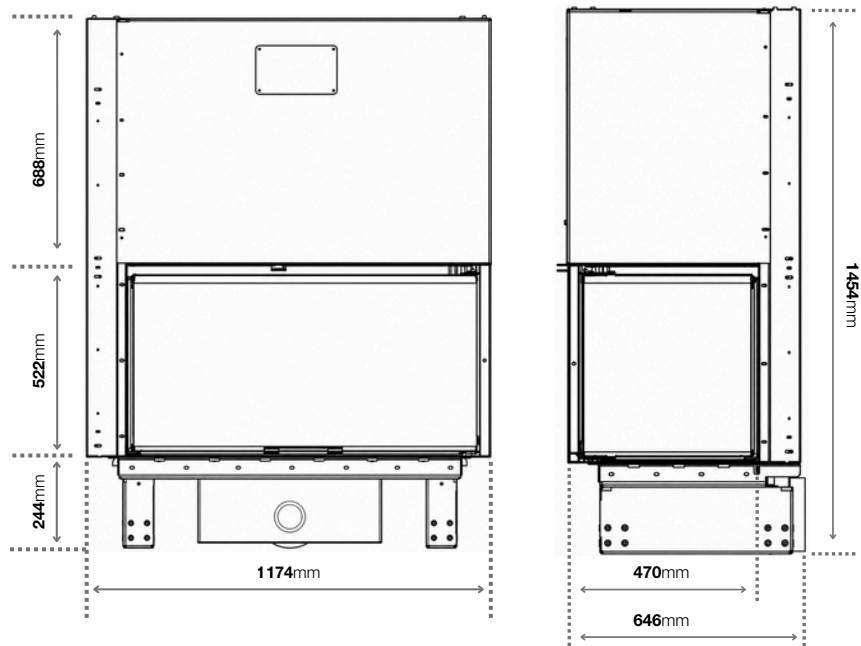
FAS120 VLD / VLG Corner Fireplace

The FAS120 VL delivers bold scale with a refined architectural edge. The two-sided glass configuration opens the fire to adjoining perspectives, creating depth and visual continuity while anchoring the space as a sculptural focal point.



Emissions	0.8 g/kg
Efficiency	62%
KW Output	>25 kW
Facade	Clean Face or 4 Sided Trim
Features	Outdoor Air Compatible Glass Wash System Double Combustion High Performance Air Flow Crafted In France Angled Base with Log Retention
Weight	290kg
Warranty	5 Years
Flue Sizing	230, 280, 330 mm

Dimensions





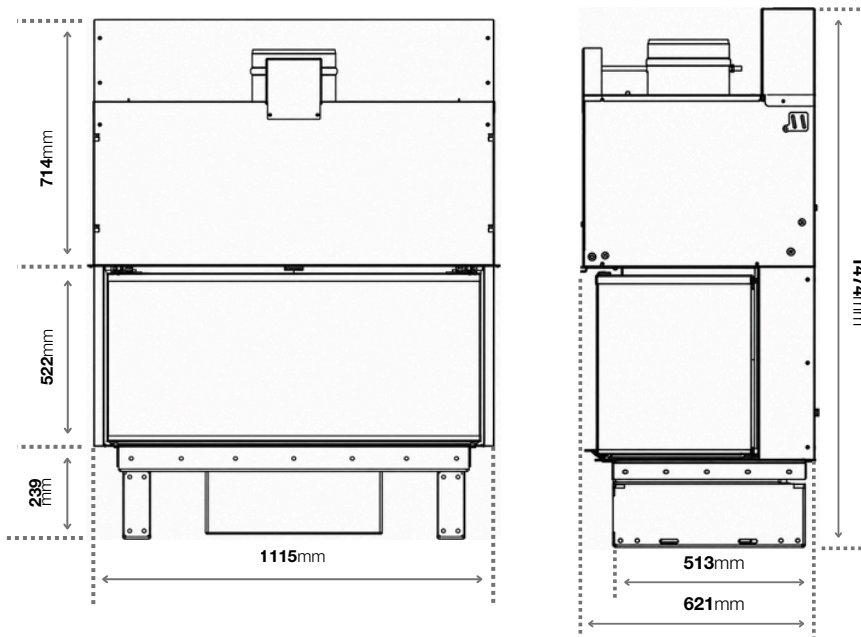
FAS120 3V Bay View Fireplace

The FAS120 3V delivers bold scale with the presence of an open fire. The three-sided glass design allows the flame to be experienced from all sides, forming a striking centrepiece within the room.



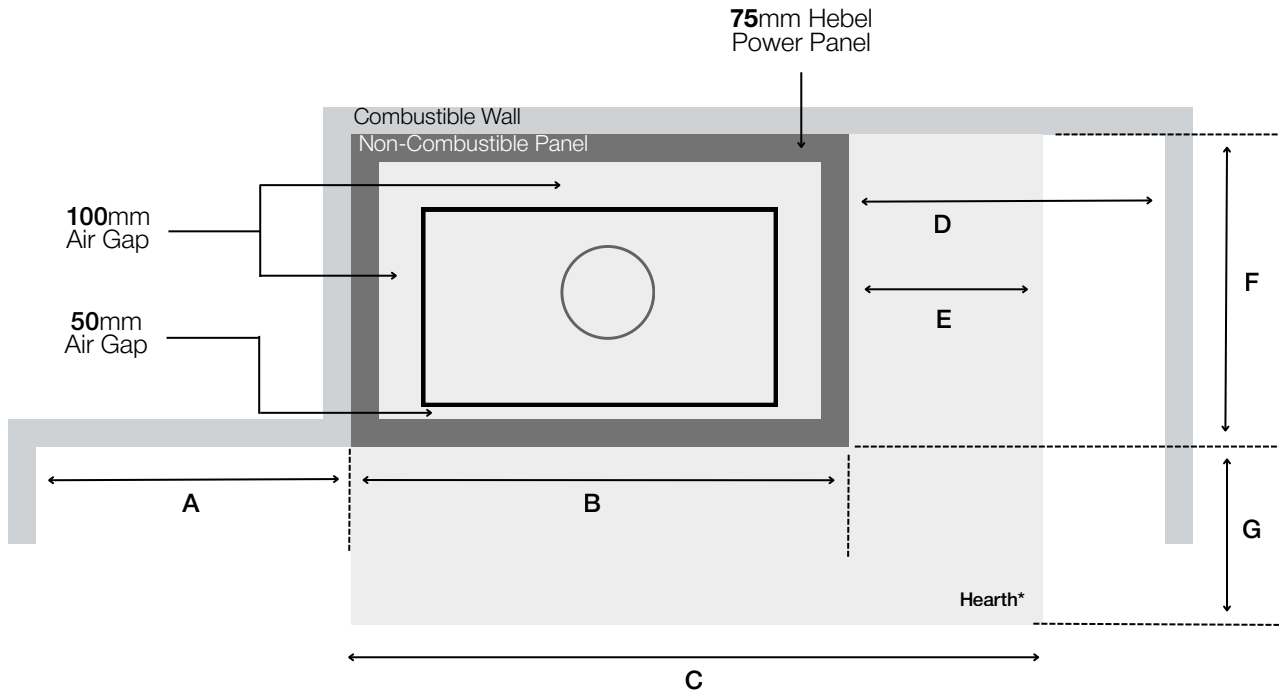
Emissions	0.8 g/kg
Efficiency	62%
KW Output	>25 kW
Facade	Clean Face or 4 Sided Trim
Features	Outdoor Air Compatible Glass Wash System Double Combustion High Performance Air Flow Crafted In France Angled Base with Log Retention
Weight	290kg
Warranty	5 Years
Flue Sizing	230, 280, 330 mm

Dimensions



Hearth & Clearance Guide

Single Sided, VL & 3V



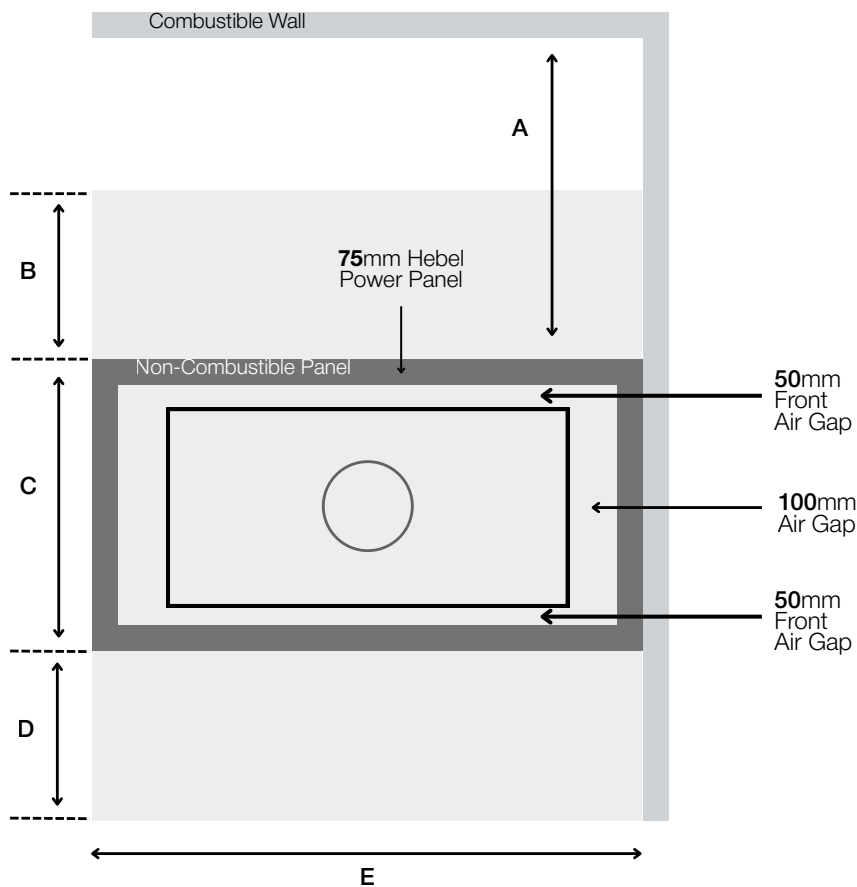
MODEL	A	B	C	D	E	F	G
FAS120 SS	600	1533	1983	600	450	847	450
FAS120 VLD/G	600	1524	1974	600	450	871	450
FAS120 3V	600	1465	1915	600	450	846	450

***Hearth: The hearth must be a minimum of thickness of 75mm**

NOTE: Measurements in mm. The above hearth dimensions apply when the unit is installed with a 445mm height from the top of the hearth to the underside of the door opening.

Hearth & Clearance Guide

Double Sided



MODEL	A	B	C	D	E
FAS120 DS	1200	400	982	400	1533

***Hearth: The hearth must be a minimum of thickness of 75mm**

NOTE: Measurements in mm. The above hearth dimensions apply when the unit is installed with a 445mm height from the top of the hearth to the underside of the door opening.

* All heating capacities within this brochure are a guide only and refers to areas with 2.4m ceilings and 6 or more star rated buildings. Heating output may vary depending on factors such as building characteristics, quality of insulation, type of firewood used and climate zone. All dimensions shown are approximate. Check all dimensions accurately prior to installation. In line with our policy of continuous improvement, we reserve the right to alter specifications without notice. ** See warranty section in the installation manual for further details. *** Dimensions shown include the lift up door option, exclude these dimensions for swing door version. Hearth dimensions are for inbuilt models only. Depth of unit subject to DAFS adaptation, see installation manual for more information.

DISCLAIMER: E&OE Images and diagrams are for illustration purposes only. Sculpt reserves the right to change these specifications without prior notice. This information does not replace the installation manual which provides more in depth information. Must be installed in a full masonry enclosure as per Australian & New Zealand standards AS/NZS 2918:2001. All rights retained © Copyright 2026 Sculpt Fireplace Collection (ACN: 169053883)





FAS120 3V



SCULPTTM

FIREPLACE
COLLECTION

info@sculptfireplaces.com.au
sculptfireplaces.com.au